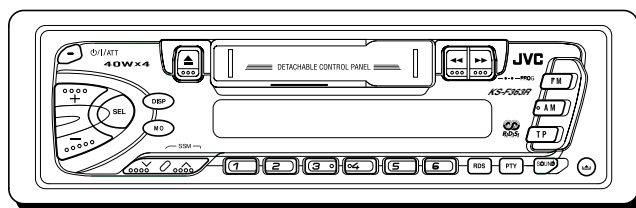
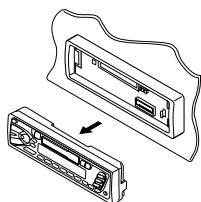


JVC

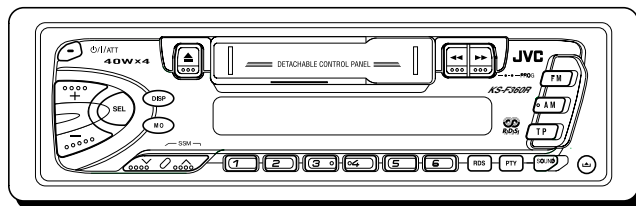
SERVICE MANUAL

CASSETTE RECEIVER

KS-F363R/KS-F360R



KS-F363R



KS-F360R

Area Suffix


E --- Continental Europe
EX ----- Central Europe

Different pont	Illumination
KS-F363R	Amber
KS-F360R	Green

Contents

Safety precaution	1- 2
Disassembly method	1- 3
Adjustment method	1-12
Description of major ICs	1-16~22

Safety precaution

 **CAUTION** Burrs formed during molding may be left over on some parts of the chassis. Therefore, pay attention to such burrs in the case of performing repair of this system.

Disassembly method

<Main body>

■ Removing the front panel assembly (See Fig.1)

1. Press the eject button in the lower right part of the front panel. Remove the front panel assembly from the body.

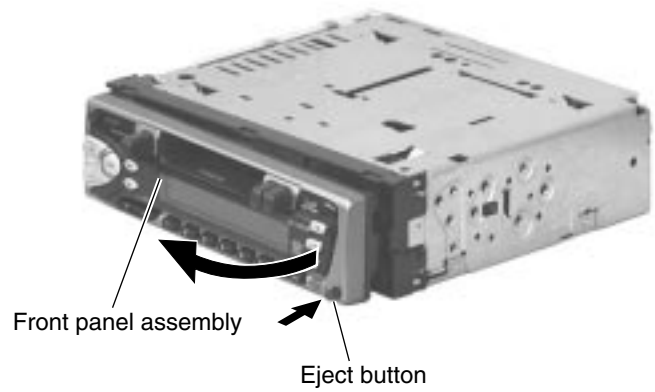


Fig.1

■ Removing the front chassis assembly (See Fig.2 and 3)

- Prior to performing the following procedure, remove the front panel assembly.
1. Release the four joint tabs **a** on both sides of the front chassis assembly and remove the front chassis assembly toward the front.

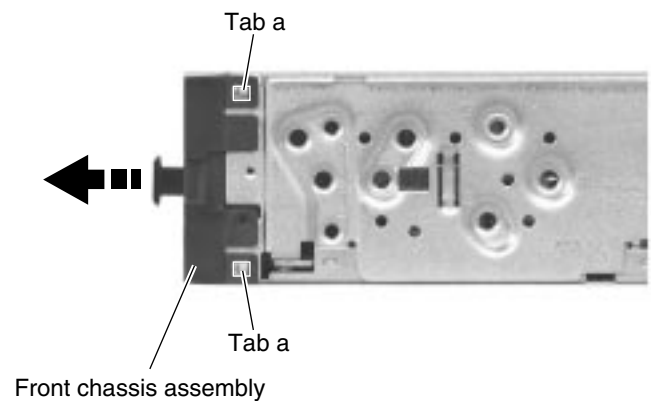


Fig.2

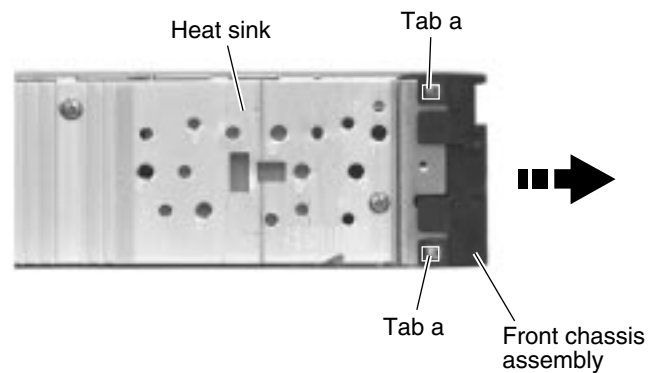


Fig.3

■ Removing the heat sink (See Fig.4)

1. Remove the three screws **A** on the left side of the body.

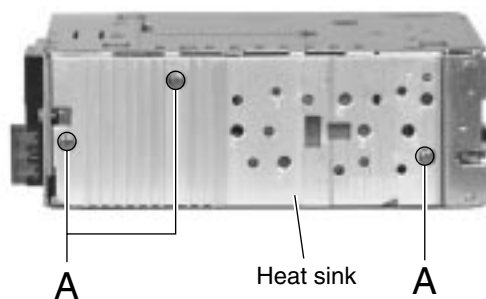


Fig.4

■ Removing the bottom cover (See Fig.5 and 6)

- Prior to performing the following procedure, remove the front panel assembly, the front chassis assembly and the heat sink.

1. Turn over the body and unjoint the five joints **b** with the bottom cover and the body using a screwdriver.

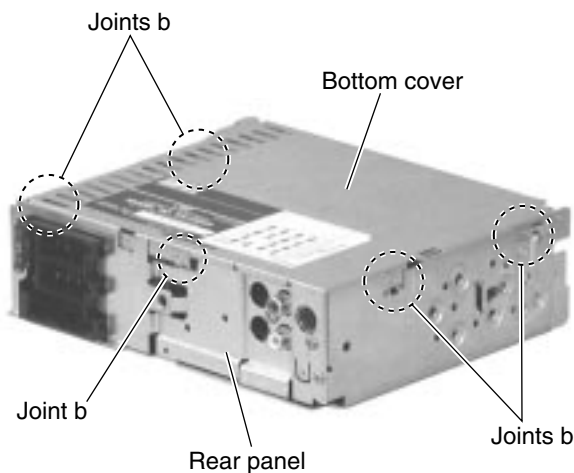


Fig.5

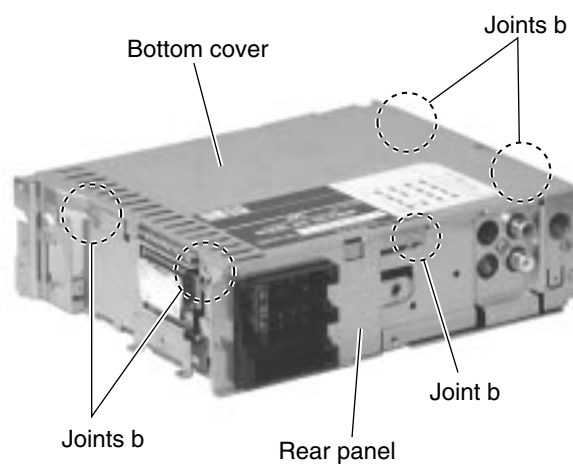


Fig.6

■ Removing the main board (See Fig.7 and 8)

· Prior to performing the following procedure, remove the front panel assembly, the front chassis assembly, the heat sink and the bottom cover.

1. Remove the screw **B**, the screw **C** and the two screws **D** attaching the rear panel on the back of the body. Remove the rear panel.
2. Remove the two screws **E** attaching the main board on the bottom of the body. Disconnect connector CN901, CN902 on the main board in the direction of the arrow.

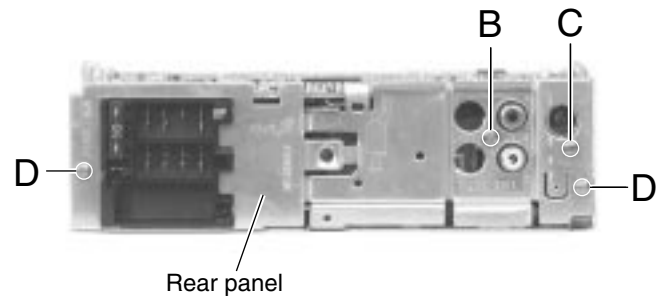


Fig.7

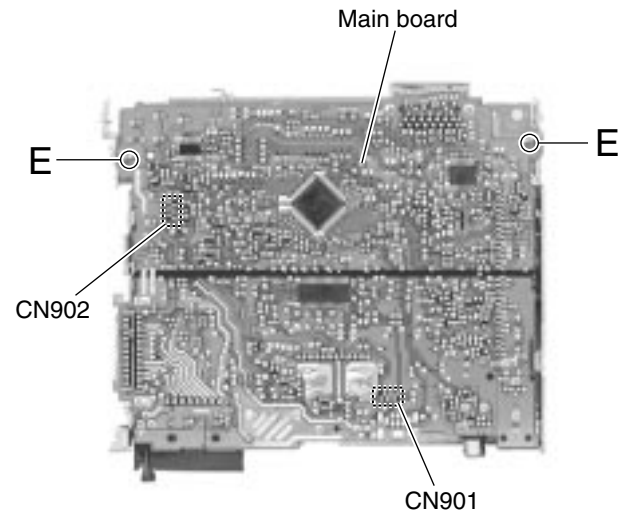


Fig.8

■ Removing the cassette mechanism section (See Fig.9)

· Prior to performing the following procedure, remove the front panel assembly, the front chassis assembly, the heat sink, the bottom cover and the main board.

1. Remove the four screws **F** attaching the cassette mechanism section on the back of the top chassis.

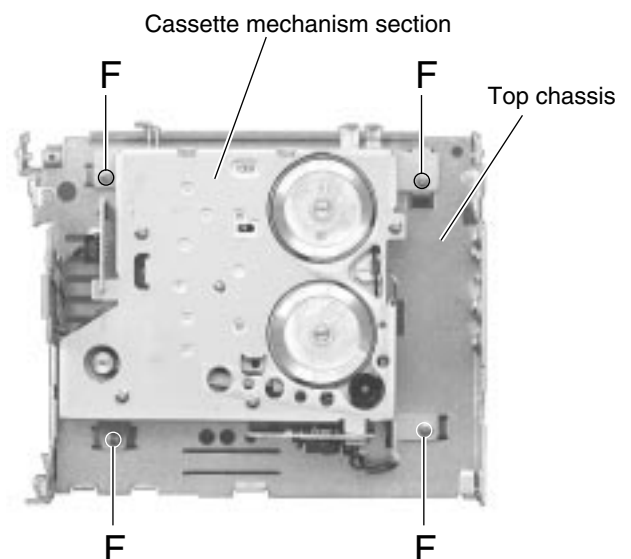


Fig.9

■ **Removing the control switch board**
(See Fig.10 to 12)

• Prior to performing the following procedure, remove the front panel assembly.

1. Remove the four screws **G** attaching the rear cover on the back of the front panel assembly.
2. Unjoint the nine joints **c** with the front panel and the rear cover.
3. Remove the control switch board on the back of the front panel.

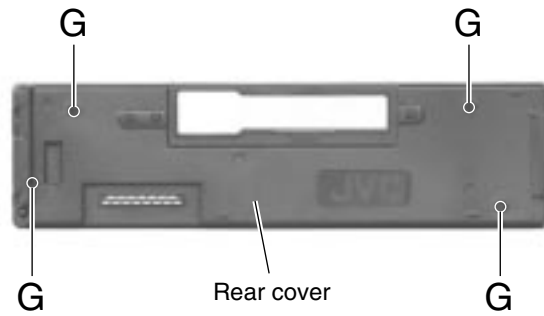


Fig.10

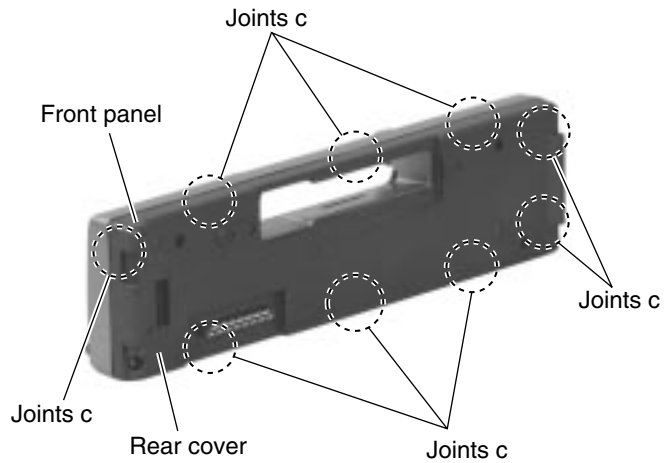


Fig.11

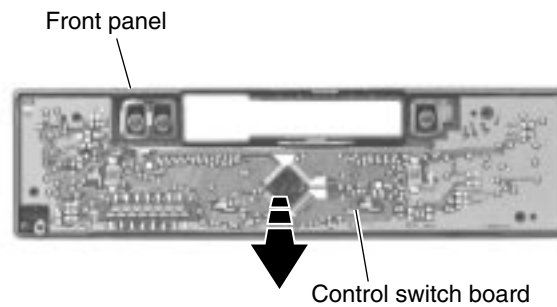


Fig.12

<Cassette mechanism assembly>

- Prior to performing the following procedures, remove the head amplifier board, the relay board and the mechanism bracket.

■ Removing the direction switch board (See Fig.1)

1. Unsolder the three wires **a** on the direction switch board.
2. Remove the one screw **A** attaching the direction switch board.

■ Removing the FF / REW lever assembly (See Fig.1)

1. Remove the screw **B** attaching the FF / REW lever assembly on the back of the cassette mechanism assembly.
2. Remove the screw **C** on the upper side of the FF / REW lever assembly.
3. Lift and pull forward the FF / REW lever assembly to disengage the joints **b**, **c**, **d** and **e**.

■ Reattaching the FF / REW lever assembly (See Fig.1)

1. Reattach the FF / REW lever assembly to the joint **c** on the back of the chassis.
2. Reattach the pinch-roller shaft **e**, the change lever **d** and the return link **e** to the chassis.

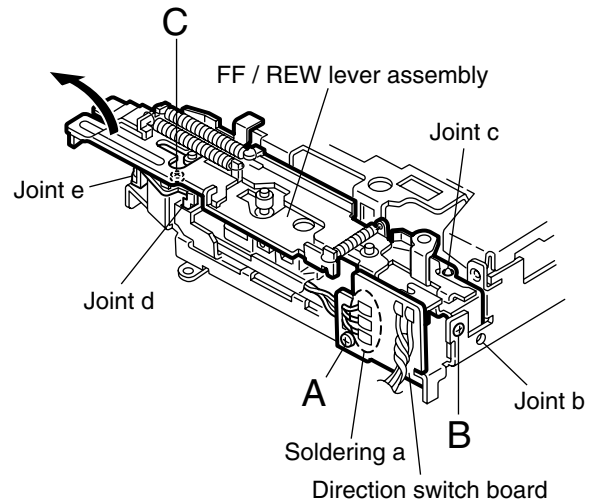


Fig.1

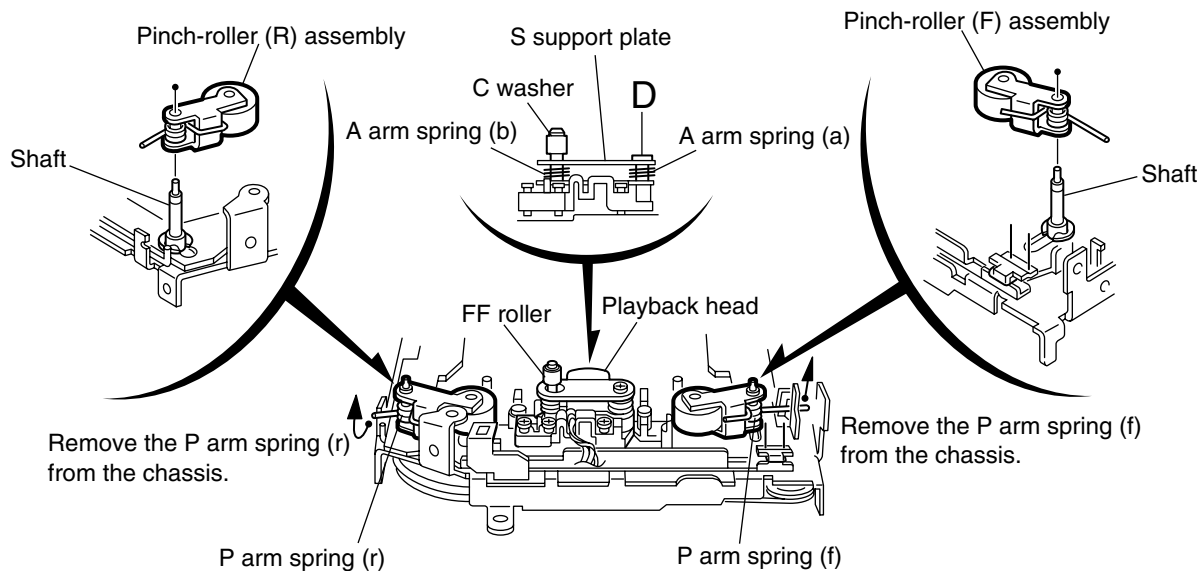


Fig.2

■ Removing the playback head (See Fig.2)

- Prior to performing the following procedure, remove the direction switch board and the FF / REW lever assembly.

1. Remove the screw **D** attaching the playback head.
2. Remove the **C** washer and pull out the FF roller.
3. Remove the **S** support plate, the **A** arm spring (a) and (b), the playback head.

ATTENTION: The **A** arm spring (a) differs from the **A** arm spring (b).

■ Removing the pinch-roller (R) and (F) assembly (See Fig.2)

- Prior to performing the following procedure, remove the direction switch board and the FF / REW lever assembly.

1. Remove the **P** arm spring (f) in the pinch-roller (F) assembly from the chassis.
2. Remove the **P** arm spring (r) in the pinch-roller (R) assembly from the chassis.
3. Draw out the pinch roller (F) and (R) assembly from the shaft.

ATTENTION: The **P** arm spring (f) differs from the **P** arm spring (r).

ATTENTION: The pinch roller (F) assembly differs from the pinch roller (R) assembly.

■ Removing the cassette hanger / cassette holder (See Fig.3)

· Prior to performing the following procedure, remove the FF / REW lever assembly.

1. From the rear of the unit, bend the two tabs **f** outwards and disengage the two joints **g** in the direction of the arrow.
2. Push the eject lever and remove the cassette holder from the playback head. Disengage the two joints **h** of the cassette hanger / cassette holder and the eject lever in the direction of the arrow.
3. Lift the cassette hanger / cassette holder and disengage the joint **i** of the return link and the eject lever.

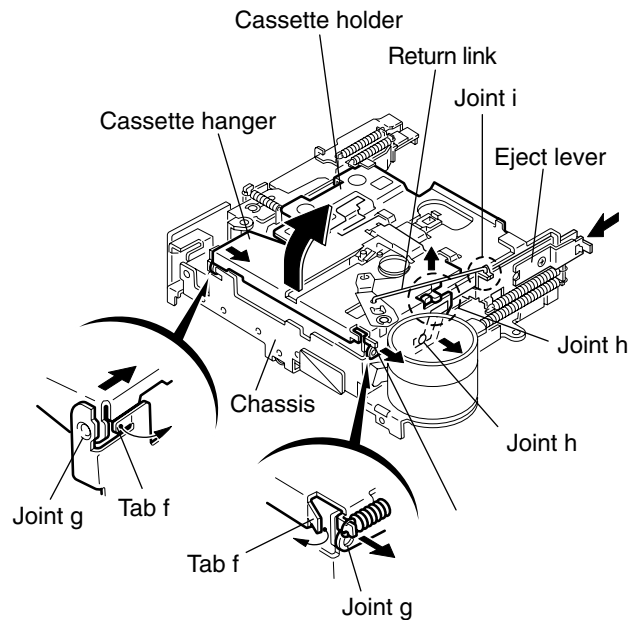


Fig.3

■ Removing the reel disc assembly (See Fig.4)

· Prior to performing the following procedure, remove the FF / REW lever assembly and the cassette hanger / cassette holder.

1. Remove the C washer and pull out reel disc assembly.

ATTENTION: Replace with a new C washer when reattaching.

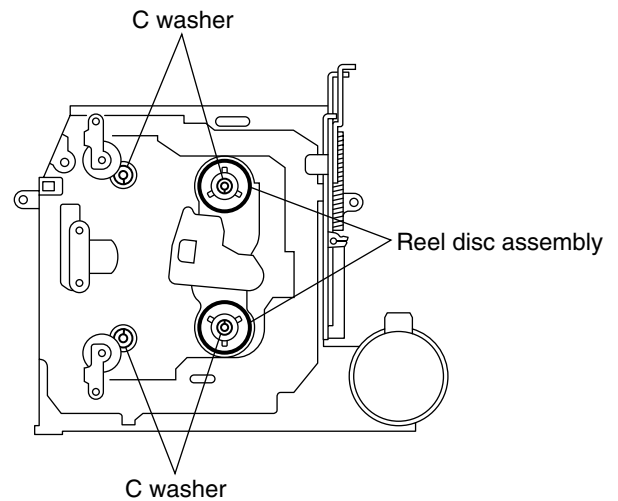


Fig.4

■ Removing the motor assembly (See Fig.5)

1. Unsolder the two wires **j** on the motor assembly.

ATTENTION: To replace the sub-belt, remove the main belt and the sub-belt from the motor pulley. Then remove the three screws **E** and one screw **F**. Replace with a new sub-belt while lifting the reel base assembly slightly.

2. Turn over the cassette mechanism assembly and remove the main belt and the sub-belt from the motor pulley.

ATTENTION: The main belt can now be removed.

3. Remove the two screws **G** attaching the motor assembly.

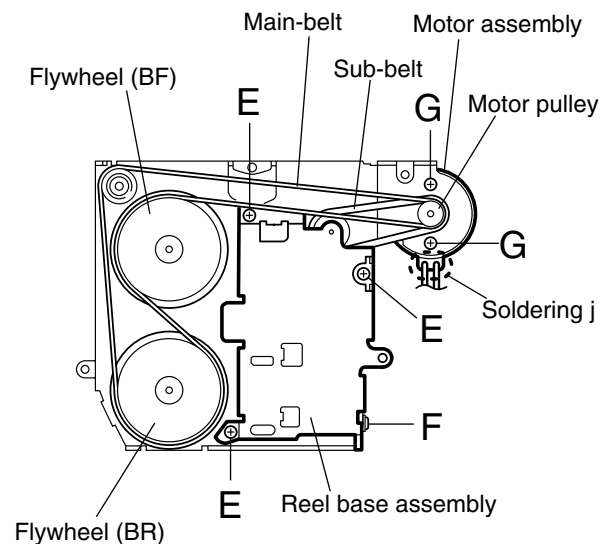


Fig.5

■ **Removing the Flywheel (BF) and (BR) assembly (See Fig.4 and 5)**

- Prior to performing the following procedure, remove the cassette hanger / cassette holder.
1. From the upper side of the cassette mechanism assembly, remove the C washer from each shaft of the flywheel (BF) and (BR).
 2. Turn over the cassette mechanism assembly and remove the main belt. Pull out the flywheel (BF) and (BR) downward respectively.

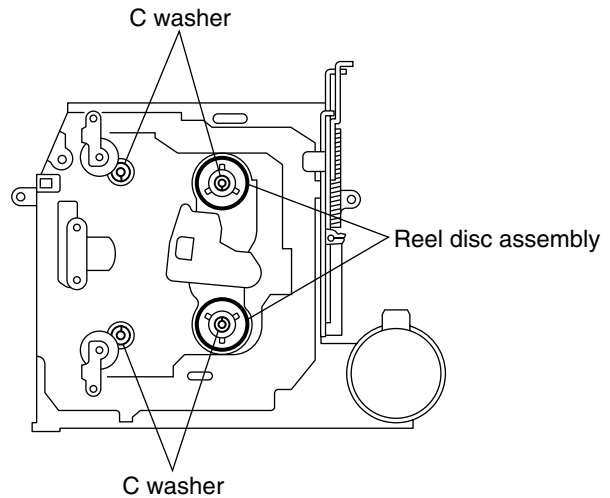


Fig.4

■ **Removing the reel base assembly (See Fig.5 and 6)**

1. Raise the part k of the reel base assembly slightly and remove the selector link (B) on the front side of the cassette mechanism assembly by turning it as shown in Fig.10.
2. Remove the three screws E and the one screw F on the underside of the cassette mechanism assembly.

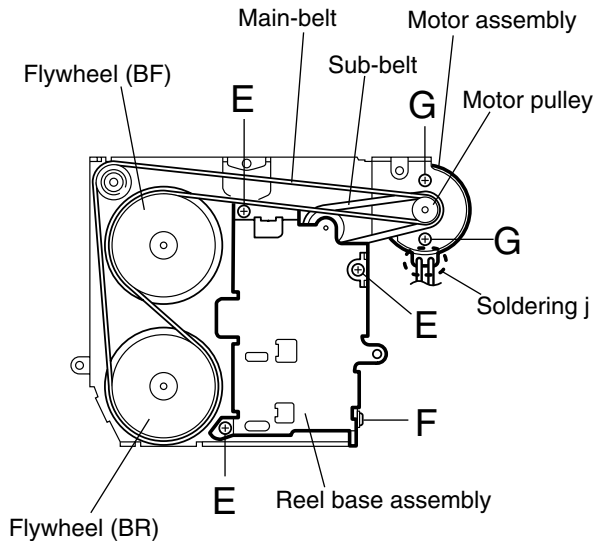


Fig.5

ATTENTION: The reel base assembly is not repairable. Handle with care.

Inside of the reel base assembly

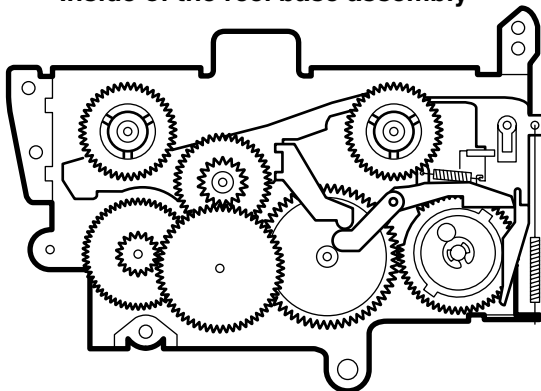


Fig.7

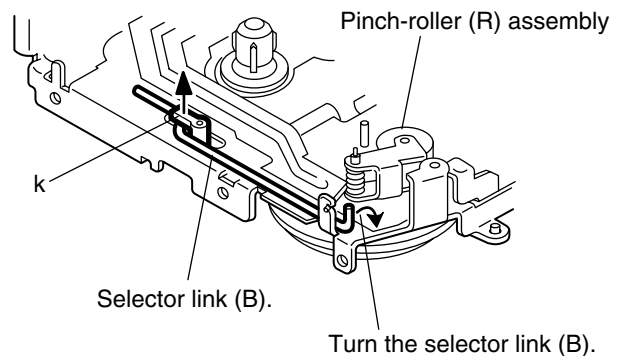


Fig.6

■ Removing the mute switch board

(See Fig.8)

1. Unsolder the two wires **I** on the mute switch board on the back of the cassette mechanism assembly.
2. Remove the screw **H** attaching the mute switch board.

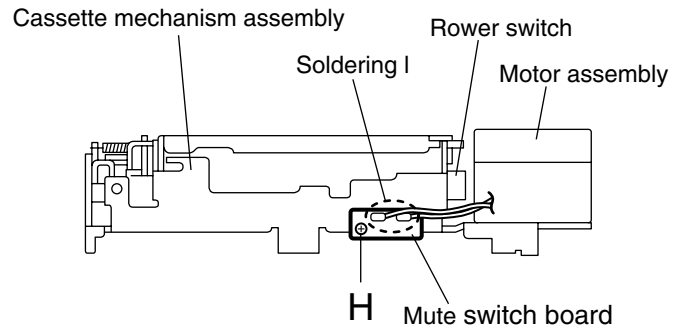


Fig.8

■ Removing the power switch (See Fig.9)

- Prior to performing the following procedure, remove the motor assembly.

1. Unsolder the two wires **m** on the power switch on the side of the cassette mechanism assembly.
2. Remove the screw **I** attaching the power switch.

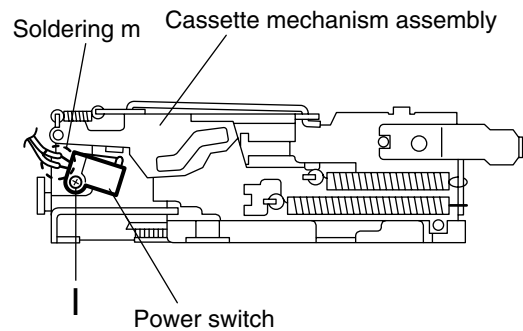


Fig.9

Adjustment method

■ Test instruments required for adjustment

1. Digital oscilloscope(100MHz)
2. Frequency counter meter
3. Electric voltmeter
4. Wow & flutter meter
5. Test tapes
 - VT724.....for DOLBY level measurement
 - VT739.....For playback frequency measurement
 - VT712....For wow flutter & tape speed measurement
 - VT703.....For head azimuth measurement
6. Torque gauge.....Cassette type for CTG-N
(Mechanism adjustment)

■ Standard volume position

Balance and Bass, Treble volume, Fader
:Center(Indication"0")
Loudness,Dolby NR,Sound,Cruise:Off
Volume position is about 2V at speaker output with
following conditions,Playback the test tape VT721.

AM mode	999kHz/62dB,INT/400Hz,30% modulation signal on receiving.
FM mono mode	97.9MHz/66dB,INT/400Hz,22.5kHz deviation pilot off mono
FM stereo mode	1kHz,67.5kHz dev.pilot 7.5kHz dev
Output level	0dB(1 μ V,50 Ω /open terminal)

■ Measuring conditions(Amplifier section)

- Power supply voltage..... DC14.4V(11V - 16V allowance)
- Load impedance..... 4 Ω (4 Ω to 8 Ω allowance)
- Line out level/Impedance.....1.0V/20k Ω load (250 nWb/m)

■ Frequency band

Band	FM: 87.5 MHz to 108.0 MHz
	AM : 522 kHz to 1620 kHz(MW) 144 kHz to 279 kHz(LW)

■ Information for using a car audio service jig

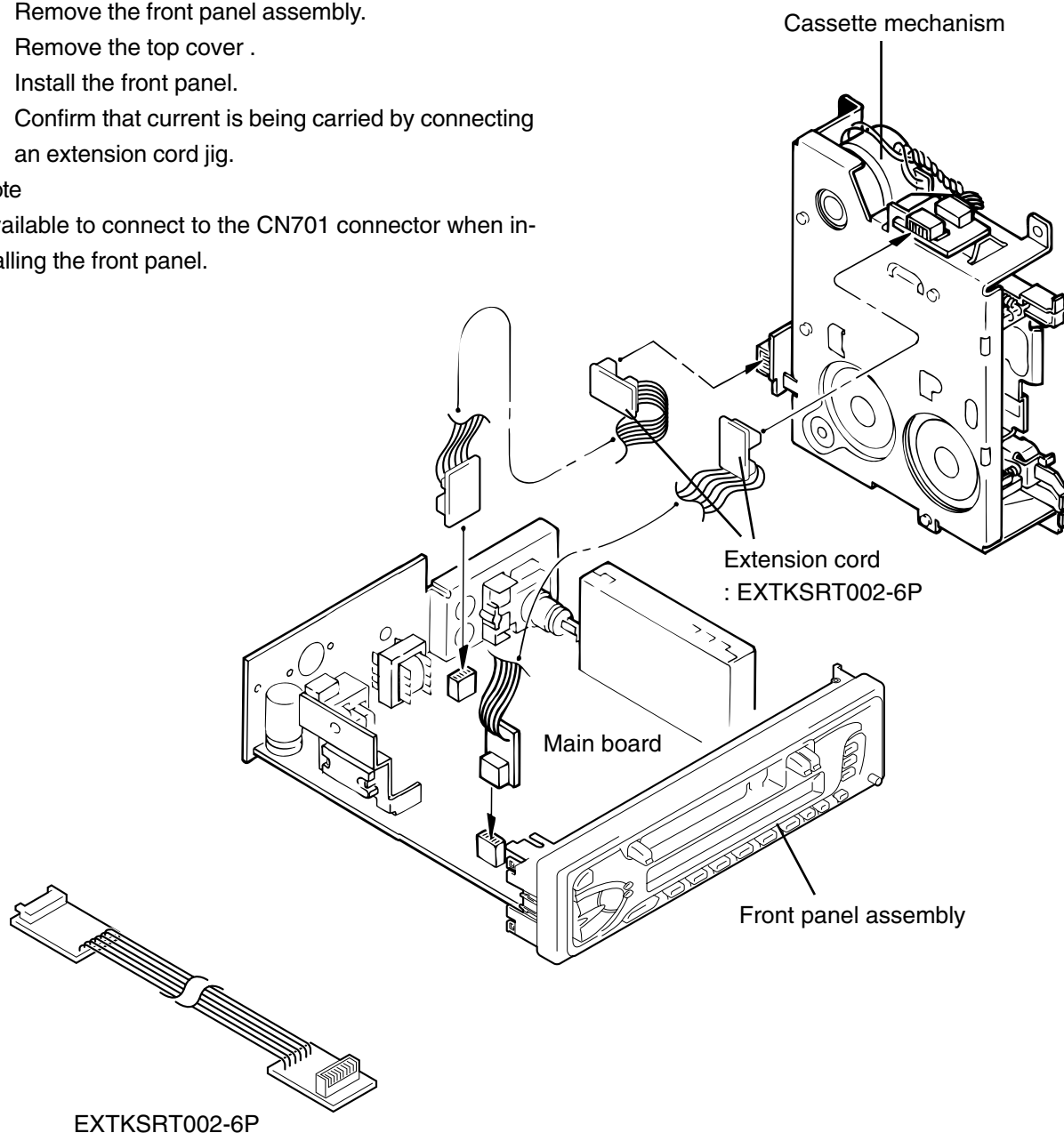
1. For 1995 and 1996 , we're advancing efforts to make our extension cords common for all car audio products. Please use this type of extension cord as follows.
2. As a U-shape type top cover is employed, this type of extension cord is needed to check operation of the mechanism assembly after disassembly.
3. Extension cord : EXTKSRT002-6P (6 pin extension cord) For connection between mechanism assembly and main board assembly.
Check for mechanism driving section such as motor ,etc..

■ Disassembly method

1. Remove the bottom cover.
2. Remove the front panel assembly.
3. Remove the top cover .
4. Install the front panel.
5. Confirm that current is being carried by connecting an extension cord jig.

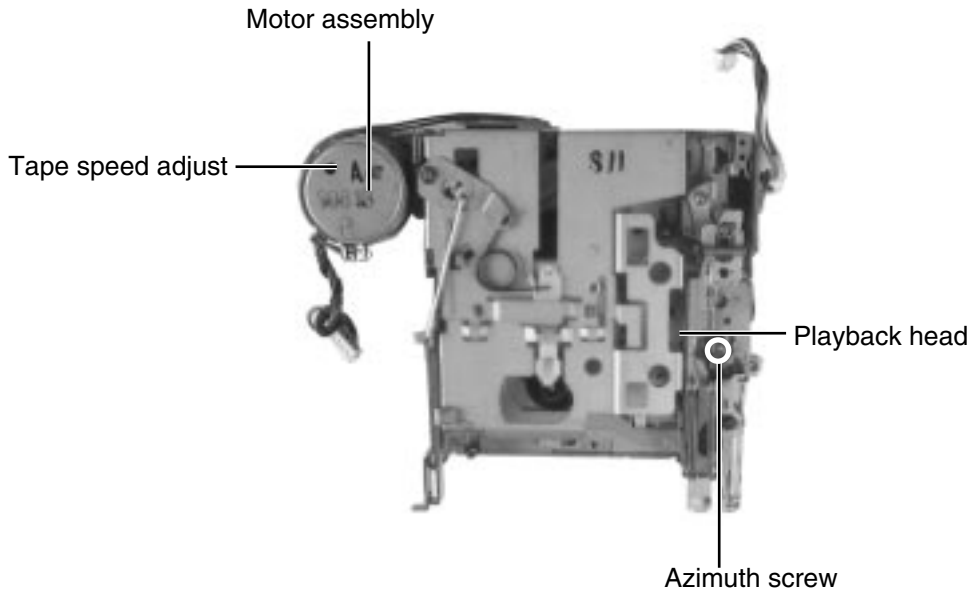
Note

Available to connect to the CN701 connector when installing the front panel.

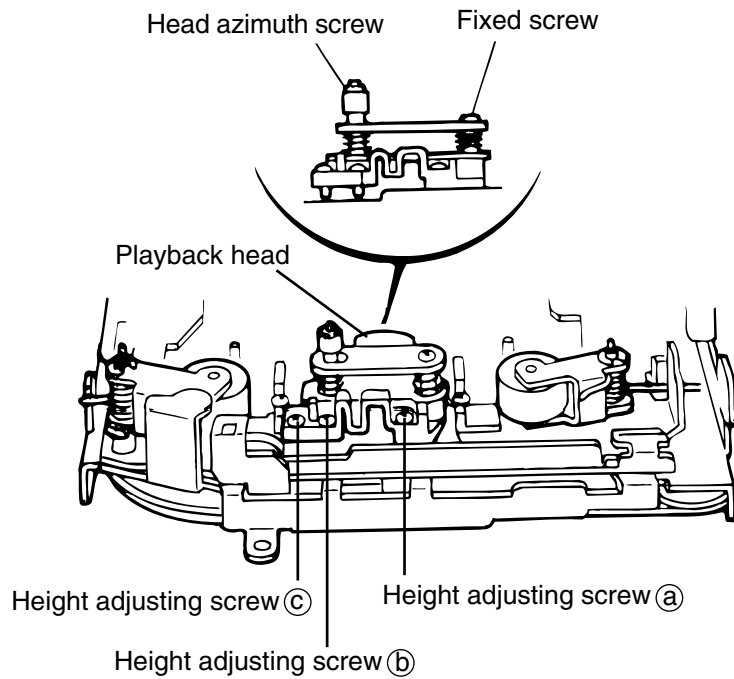


■ Arrangement of adjusting & test points

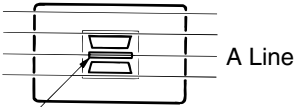
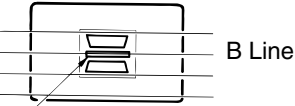
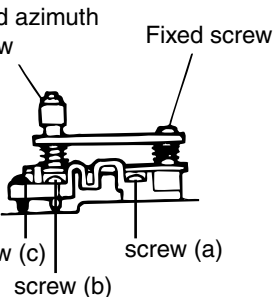
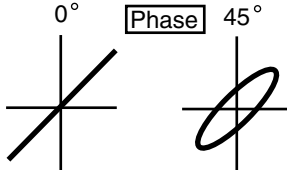
Cassette mechanism
(Surface)



Head section view



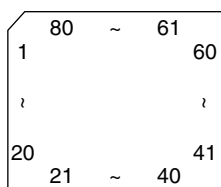
■ Mechanism adjustment section

Item	Adjusting & Confirmation Methods	Adjust	Std. Value
1.Head azimuth	<p>"Head Height Adjustment"</p> <p>Note</p> <p>Adjust the azimuth directly. When you adjust the height using a mirror tape, remove the cassette housing from the mechanism chassis.</p> <p>After installing the cassette housing, perform the azimuth adjustment.</p> <ol style="list-style-type: none"> 1.Load the mirror tape (SCC-1659). Adjust with height adjustment screw (a) and azimuth adjustment screw (b) so that line "A" of the mirror tape runs in the center between Lch and Rch in the reverse play mode. 2.After switching from REV to FWD then to REV, check that the head position set in procedure "1" is not changed. *If the position has shifted, adjust again and check. 3.Adjust the azimuth screw (b) so that line "B" of the mirror tape runs in the center between Lch and Rch in the forward play mode. <p>"Head Azimuth Adjustment"</p> <ol style="list-style-type: none"> 1.Load the test tape (VT724: 1kHz) and play it back in the reverse play mode. set the Rch output level to maximum. 2.Load the test tape (VT703: 10kHz) and play it back in the forward play mode. Adjust the Rch and Lch output levels to maximum, with azimuth adjustment screw (b). In this case, the phase difference should be within 45°. 3.Engage the reverse mode and adjust the output level to maximum, with azimuth adjustment screw (c). *The phase difference should be 45° or more. 4.When switching between forward and reverse modes, the difference between channels should be within 3dB. *Between FWD Lch and Rch, REV Lch and Rch. 5.When the test tape (VT721 : 315Hz) is played back, the level difference between channels should be within 1.5dB. 	 <p>A Line</p> <p>Head shield</p> <p><i>The head is at low position during FWD.</i></p>  <p>B Line</p> <p>Head shield</p> <p><i>The head is at height position during REV.</i></p>  <p>Head azimuth screw</p> <p>Fixed screw</p> <p>screw (c)</p> <p>screw (a)</p> <p>screw (b)</p> <p>0° Phase 45°</p> 	
2. Tape Speed and Wow & Flutter	<ol style="list-style-type: none"> 1.Check to see if the reading of the frequency counter & Wow flutter meter is within 2940-3090 Hz(FWD/REV), and less than 0.35% (JIS RMS). 2.In case of out of specification, adjust the motor with a built-in volume resistor. 	Built-in volume resistor	Tape Speed 2940-3090Hz Wow&Flutter Less than 0.35% (JIS RMS)
3. Playback Frequency response	<ol style="list-style-type: none"> 1.Play the test tape (VT724 : 1kHz) back and set the volume position at 2V. 2.Play the test tape (VT739)back and confirm $0 \pm 3\text{dB}$ at 1kHz/ 8kHz and $-4+2\text{dB}$ at 1kHz/125Hz. 3.When 8kHz is out of specification, it will be necessary to readjust the azimuth. 		Speaker out 1kHz/8kHz : $0\text{dB} \pm 3\text{dB}$, 125Hz/1kHz : $-4\text{dB} + 2\text{dB}$,

Description of major ICs

■ UPD178018AGC555 (IC701) : CPU

1. Pin layout



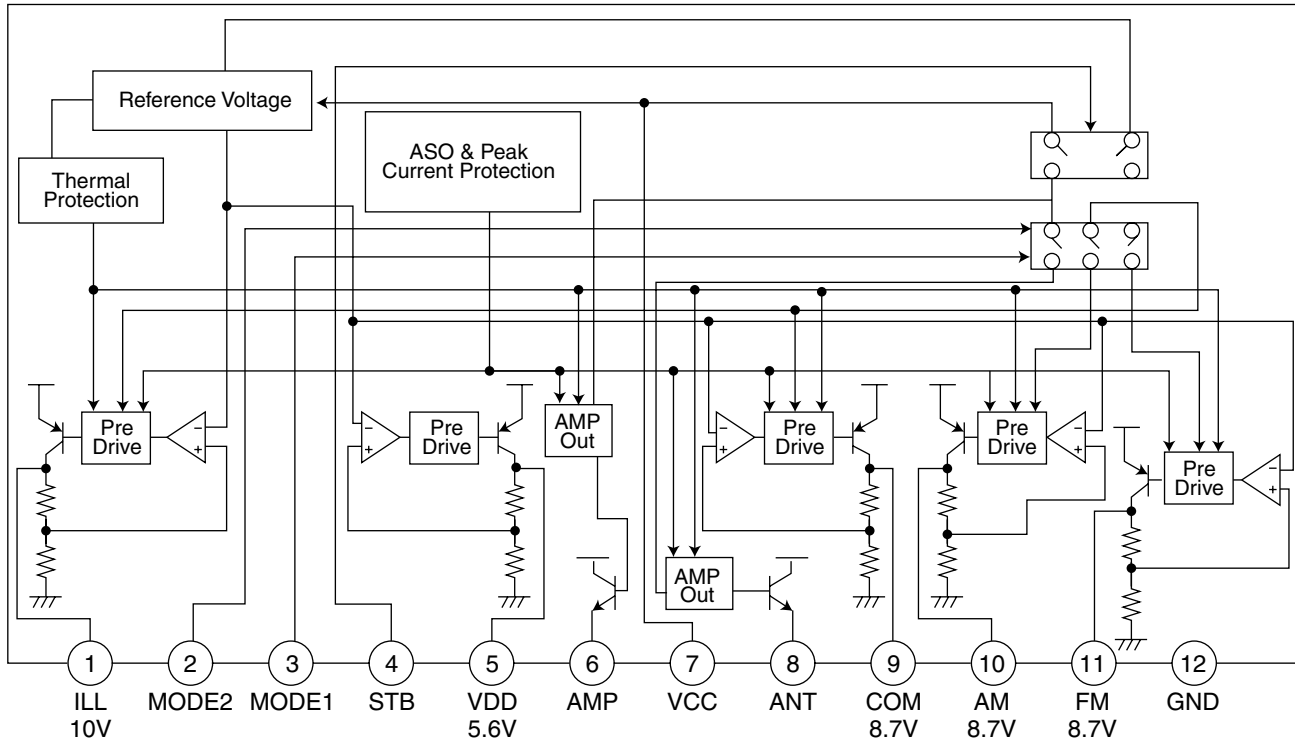
2. Pin function

Pin No.	Port Name	I/O	Descriptions
1	KEY 0	I	Key input 0
2	KEY 1	I	Key input 1
3	KEY 2	I	Key input 2
4	LEVEL	I	Level meter input
5	SM	I	S.meter level input
6	SQ	I	S.Quality level input
7	LCDCE	O	CE output to LCD driver
8	LCDDA	O	Data output to LCD driver
9	LCDCLK	O	Clock output to LCD driver
10	BUSI/O	I	I/O selector output for J-BUS, H : OUT, L: INPUT
11	UNLOCK	-	Non connect
12	BUSSI	I	J-BUS Data input
13	BUSO	O	J-BUS Data output
14	BUSCLK	I/O	J-BUS Clock in/output
15	NC	-	Non connect
16	NC	-	Non connect
17	NC	-	Non connect
18	NC	-	Non connect
19	NC	-	Non connect
20	NC	-	Non connect
21	GNDPORT	-	Port GND
22	VDDPORT	-	Port Vdd
23	AM	O	Non connect
24	AFCK	O	AF check output, L: AF check
25	MONO	O	Monaural on /off selecting output, H:mono on
26	FM	O	FM/AM switching output L : FM H : AM
27	SEEK/STOP	O	Auto seek /stop selecting output, H: Seek, L:Stop
28	NC	-	Non connect
29	IFC	I	FM/AM midle frequency counter input
30	VDDPLL	-	PLL Vdd
31	FMOSC	I	FM/AM limited generator frequency input
32	AMOSC	-	None connect
33	GNDPLL	-	PLL GND
34	AMEO	O	AM error out output
35	FMEO	O	FM error out output
36	IC	-	GND
37	SD/ST	I	Station detector, Stereo signal input, H:Find Station, L:Stereo
38	STAGE0	I	Pull up
39	NC	-	Non connect
40	F/R	O	Main motor output

Pin No.	Port Name	I/O	Descriptions
41	NC	-	Non connect
42	NC	-	Non connect
43	TELMUTE	O	Telephone mute signal detection input
44	TAPEIN	I	TAPE input
45	I2CCLK	O	I2C information clock output
46	I2CDAO	O	I2C information data output
47	I2CDAI	I	I2C information clock input
48	NC	-	Non connect
49	NC	-	Non connect
50	T-MUTE	I	Telephone mute signal detection input
51	NC	-	Non connect
52	NC	-	Non connect
53	NC	-	Non connect
54	NC	-	Non connect
55	TAPE	-	Non connect
56	TUNER	-	Non connect
57	CD	-	Non connect
58	NC	-	Non connect
59	NC	-	Non connect
60	MUTE	O	Mute output
61	POWER	O	Power ON /OFF switching output , H : power on
62	NC	-	Non connect
63	NC	-	Non connect
64	NC	-	Non connect
65	NC	-	Non connect
66	NC	-	Non connect
67	ON	I	CPU power supply
68	STOP	O	STOP signal output terminal
69	RDSCK	I	Clock input for RDS
70	RDSDA	I	RDS data input
71	REMOCON	I	Remocom input
72	DETACH	I	Detach signal input H : Power save
73	BUSINT	I	Cut-in input for J-BUS signal
74	REGCPU	-	Regulator for CPU power supply, Connect the GND with 0.1 μ F.
75	GND	-	Ground
76	X2	-	Connecting the crystal oscillator for system clock
77	X1	I	Connecting the crystal oscillator for system clock
78	REGOSC	-	Regulator for oscillator circuit. Connect the GND with 0.1 μ F.
79	VDD	-	Vdd
80	NC	-	Pull up

■ AN80T05LF (IC961) : Regulator

1.Pin layout & Block diagram

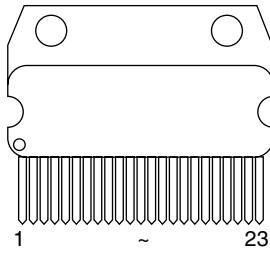


2.Pin function

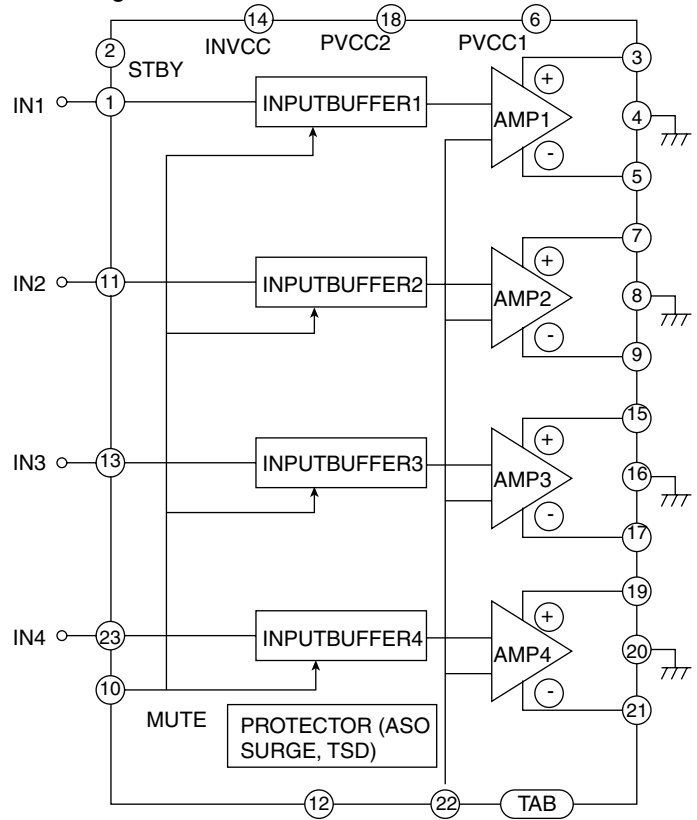
Pin No.	Symbol	Function
1	ILL	10V power supply for illumination.
2	MODE2	When 5V is input, becomes AM. and the antenna output is turned on.
3	MODE1	When 5V is input, becomes AM. and the output of FM is switched.
4	STB	When 5V is input, outputs to ILL, COM, and AMP. It is 0V usually.
5	VDD	5.6V power supply.
6	AMP	Power supply supply to remote amplifier
7	VCC	Back up. connects with ACC with it.
8	ANT	Power supply supply to auto antenna.
9	COM	8.7V power supply.
10	AM	The power supply of 8.7V to AM.
11	FM	The power supply of 8.7V to FM.
12	GND	Ground

■ HA13158A (IC941) : Power amp

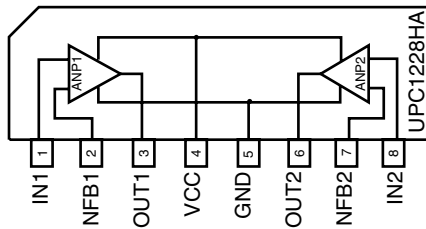
1. Pin layout



2. Block diagram

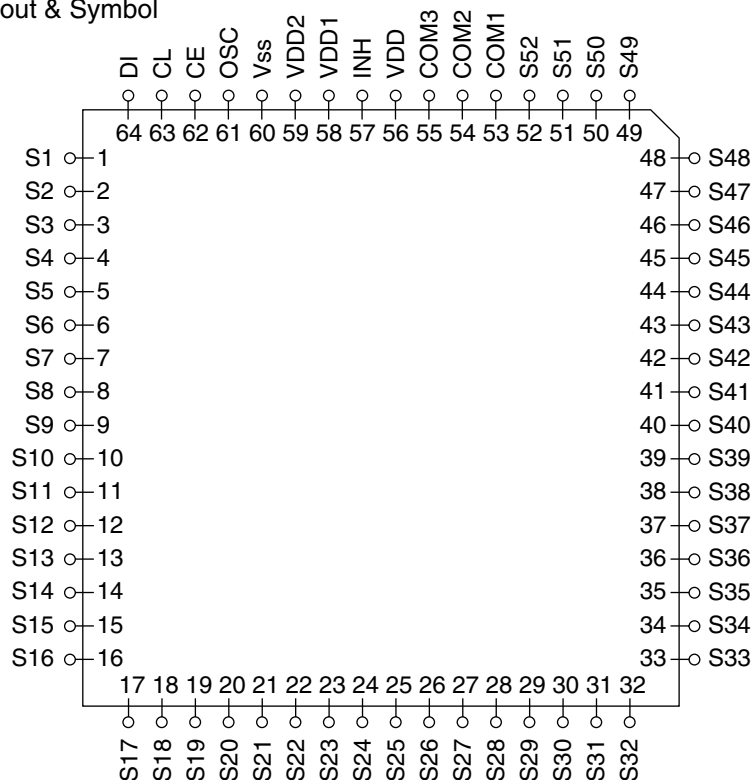


■ UPC1228HA (IC901) : Head amp



■ LC75823W (IC651) : LCD driver

1. Pin Layout & Symbol

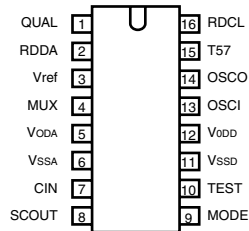


2. Pin Function

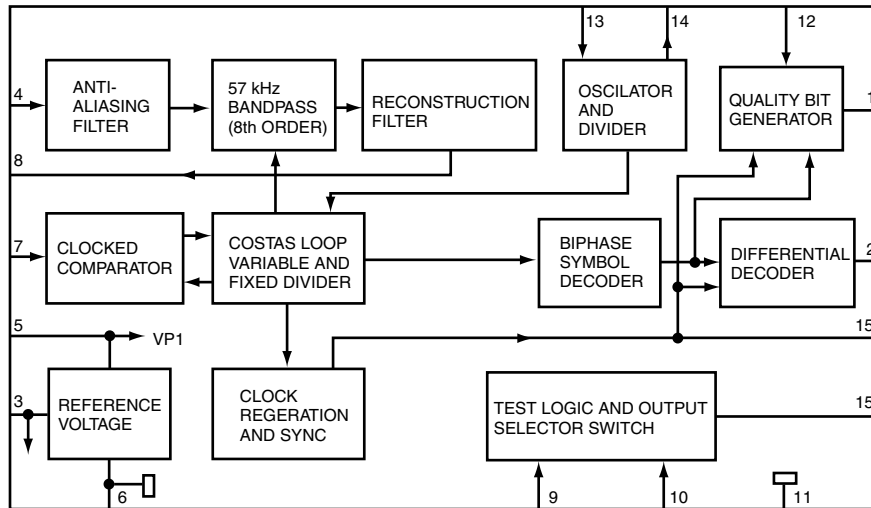
Pin No.	Symbol	I/O	Function
1 to 52	S1 to S52	O	Segment output pins used to display data transferred by serial data input.
53 to 55	COM1 to COM3	O	Common driver output pins. The frame frequency is given by : $t_0 = (f_{osc}/384)Hz$.
56	VDD	--	Power supply connection. Provide a voltage of between 4.5 and 6.0V.
57	\overline{INH}	I	Display turning off input pin. $\overline{INT} = "L"$ (Vss) ----- off (S1 to S52, COM1 to COM3="L") $\overline{INT} = "H"$ (VDD)----- on Serial data can be transferred in display off mode.
58	VDD1	I	Used for applying the LCD drive 2/3 bias voltage externally. Must be connected to VDD2 when a 1/2 bias drive scheme is used.
59	VDD2	I	Used for applying the LCD drive 1/3 bias voltage externally. Must be connected to VDD1 when a 1/2 bias drive scheme is used.
60	Vss	--	Power supply connection. Connect to GND.
61	OSC	I/O	Oscillator connection. An oscillator circuit is formed by connecting an external resistor and capacitor at this pin.
62	CE		Serial data interface connection CE : Chip enable
63	CL	I	to the controller. CL : Sync clock
64	DI		DI : Transfer data

■ SAA6579T-X (IC761) : RDS

1. Pin layout



2. Block diagram



3. Pin function

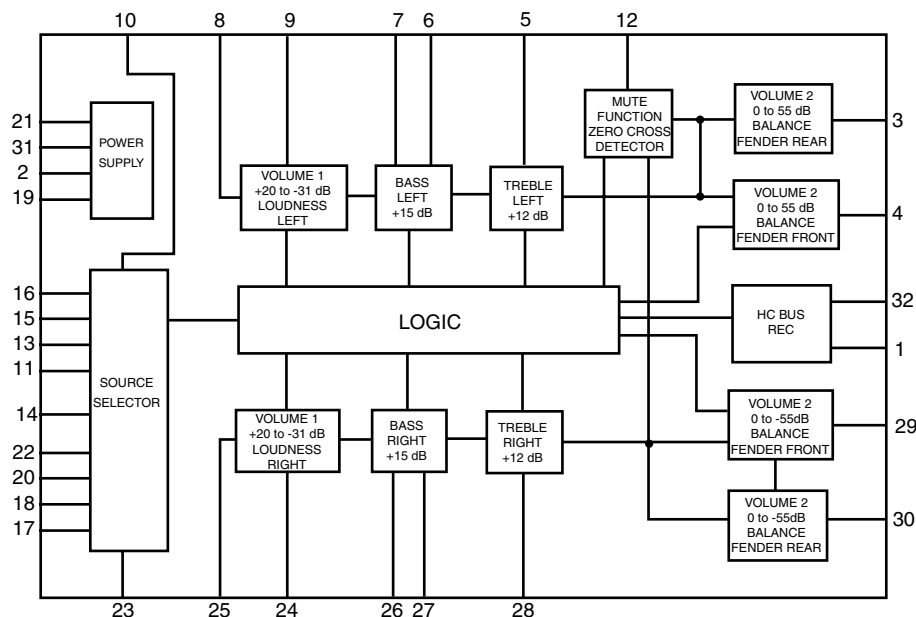
Pin No.	Symbol	Description
1	QUAL	Quality indication output
2	RDDA	RDS data output
3	Vref	Reference voltage output (0.5VDDA)
4	MUX	Multiolex signal input
5	VDDA	+5V supply voltage for analog part
6	VSSA	Ground for analog part (0V)
7	CIN	Subcarrier input to comparator
8	SCOUT	Subcarrier output of reconstruction filter
9	MODE	Oscillator mode / test control input
10	TEST	Test enable input
11	VSSD	Ground for digital part (0V)
12	VDD	+5V supply voltage for digital part
13	OSCI	Oscillator input
14	OSCO	Oscillator output
15	T57	57 kHz clock signal output
16	RDCL	RDS clock output

TEA6320T-X (IC911) : E.volume

1.Pin layout

SDA	1	32	SCL
GND	2	31	VCC
OUTLR	3	30	OUTRR
OUTLF	4	29	OUTRF
TL	5	28	TR
B2L	6	27	B2R
B1L	7	26	B1R
IVL	8	25	IVR
ILL	9	24	ILR
QSL	10	23	QSR
IDL	11	22	IDR
MUTE	12	21	Vref
ICL	13	20	ICR
IMD	14	19	CAP
IBL	15	18	IBR
IAL	16	17	IAR
			CD-CH
			TAPE
			TUNER

2.Block diagram



3.Pin functions

Pin No.	Symbol	I/O	Functions	Pin No.	Symbol	I/O	Functions
1	SDA	I/O	Serial data input/output.	17	IAR	I	Input A right source.
2	GND	-	Ground.	18	IBR	I	Input B right source.
3	OUTLR	O	output left rear.	19	CAP	-	Electronic filtering for supply.
4	OUTLF	O	output left front.	20	ICR	I	Input C right source.
5	TL	I	Treble control capacitor left channel or input from an external equalizer.	21	Vref	-	Reference voltage (0.5Vcc)
6	B2L	-	Bass control capacitor left channel or output to an external equalizer.	22	IDR	-	Not used
7	B1L	-	Bass control capacitor left channel.	23	QSR	O	Output source selector right channel.
8	IVL	I	Input volume 1. left control part.	24	ILR	I	Input loudness right channel.
9	ILL	I	Input loudness. left control part.	25	IVR	I	Input volume 1. right control part.
10	QSL	O	Output source selector. left channel.	26	B1R	-	Bass control capacitor right channel
11	IDL	-	Not used	27	B2R	O	Bass control capacitor right channel or output to an external equalizer.
12	MUTE	-	Not used	28	TR	I	Treble control capacitor right channel or input from an external equalizer.
13	ICL	I	Input C left source.	29	OUTRF	O	Output right front.
14	IMO	-	Not used	30	OUTRR	O	Output right rear.
15	IBL	I	Input B left source.	31	Vcc	-	Supply voltage.
16	IAL	I	Input A left source.	32	SCL	I	Serial clock input.

< MEMO >



VICTOR COMPANY OF JAPAN, LIMITED

MOBILE ELECTRONICS DIVISION

PERSONAL & MOBILE NETWORK BUSINESS UNIT. 10-1,1Chome,Ohwatari-machi,Maebashi-city,371-8543,Japan

PARTS LIST

[KS-F363R]

[KS-F360R]

* All printed circuit boards and its assemblies are not available as service parts.

Area suffix

E ----- Continental Europe
EX ----- Central Europe

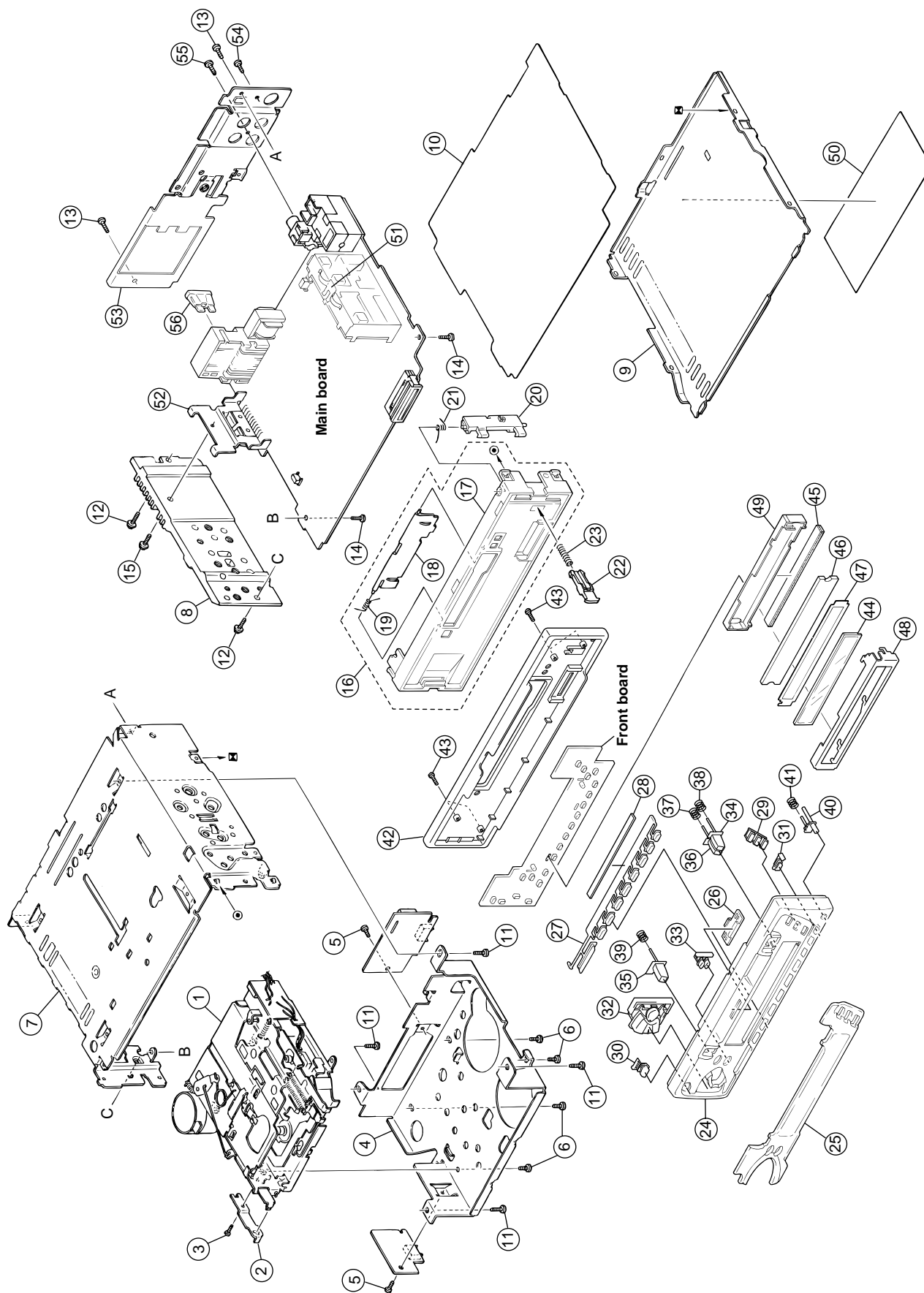
- Contents -

Exploded view of general assembly and parts list (Block No.M1)	3- 2
Cassette mechanism assembly and parts list (Block No.MP)	3- 5
Electrical parts list (Block No.01~02)	3-10
Packing materials and accessories parts list (Block No.M3,M5)	3-14

Exploded view of general assembly and parts list

Block No.

M	1	M	M
---	---	---	---



Parts list (General assembly)

Block No. M1MM

△	Item	Parts number	Parts name	Q'ty	Description	Area
	1	-----	CASSETTE MECHA	1	CDS-363SJ1	
	2	VKL7821-001	EJECT LEVER	1		
	3	QYSPSPT2625Z	MINI SCREW	1		
	4	FSKM2005-002	MECHA BRACKET	1		
	5	QYSDST2605Z	SCREW	2	PCB+MECHA	
	6	QYSDSP2604Z	SCREW	4	MECHA+M.BKT	
	7	FSJC1029-305	TOP CHASSIS	1		
	8	FSMH3001-201	SIDE PANEL	1		
	9	FSKM3011-002	BOTTOM COVER	1		
	10	FSMA3004-203	INSULATOR	1		
	11	QYSDST2605Z	SCREW	4	CHASSIS+MECHA BKT	
	12	FSKZ4005-001	SCREW	2	CHASSIS+SIDE PANEL	
	13	QYSDST2604Z	SCREW	2	CHASSIS+REAR BKT	
	14	QYSDST2606Z	SCREW	2	CHASSIS+MAIN PW	
	15	FSKZ4005-001	SCREW	1	SIDE PANEL+IC BKT	
	16	ZCKSF150J-FB	FRONT CHASSIS A	1	17,18,19	
	17	FSJC1055-001	FRONT CHASSIS	1		
	18	FSJC4003-029	CASSETTE LID	1		
	19	VKW4947-002	DOOR SPRING	1		
	20	FSKS3010-001	LOCK LEVER	1		
	21	FSKW4005-003	TORSION SPRING	1		
	22	FSXP3026-002	RLS KNOB	1		
	23	FSKW3002-004	COMP.SPRING	1		
	24	FSJC1053-006	FRONT PANEL	1		
	25	FSJD3022-00P	FINDER ASSY	1	KS-F363R	
		FSJD3022-00N	FINDER ASSY	1	KS-F360R	
	26	FSJK3014-001	LIGHT LENS	1		
	27	FSXP2035-110	PRESET BUTTON	1	1-6,RDS,PTY	
	28	FSYH4036-031	SHEET	1	PRESET BUTTON	
	29	FSXP2034-039	D.FUNC BUTTON	1	FM/AM/TP	
	30	FSXP3053-002	POWER BUTTON	1		
	31	FSXP4005-026	BBE BUTTON	1		
	32	FSXP2044-001	COMBO BUTTON	1		
	33	FSXP3068-004	PUSH BUTTON	1	DISP,MO	
	34	FSXP3066-001	FF BUTTON	1		
	35	FSXP3065-001	EJECT BUTTON	1		
	36	FSXP3067-001	REW BUTTON	1		
	37	FSKW3002-003	COMP. SPRING	1	FOR REW BUTTON	
	38	FSKW3002-003	COMP. SPRING	1	FOR FF BUTTON	
	39	FSKW3002-003	COMP. SPRING	1	FOR EJECT BUTTON	
	40	FSXP3055-001	DETACH BUTTON	1		
	41	FSKW3002-012	COMP. SPRING	1	FOR DETACH BUTTON	
	42	FSJC1054-001	REAR COVER	1		
	43	VKZ4777-001	MINI SCREW	4	F.PANEL+REAR COVER	
	44	QLD0145-001	LCD MODULE	1		
	45	QNZ0439-001	RUBBER CONNE	1		
	46	FSJK3034-001	LCD LENS	1		
	47	FSYH4076-001	LIGHTING SHEET	1		

■ Parts list (General assembly)

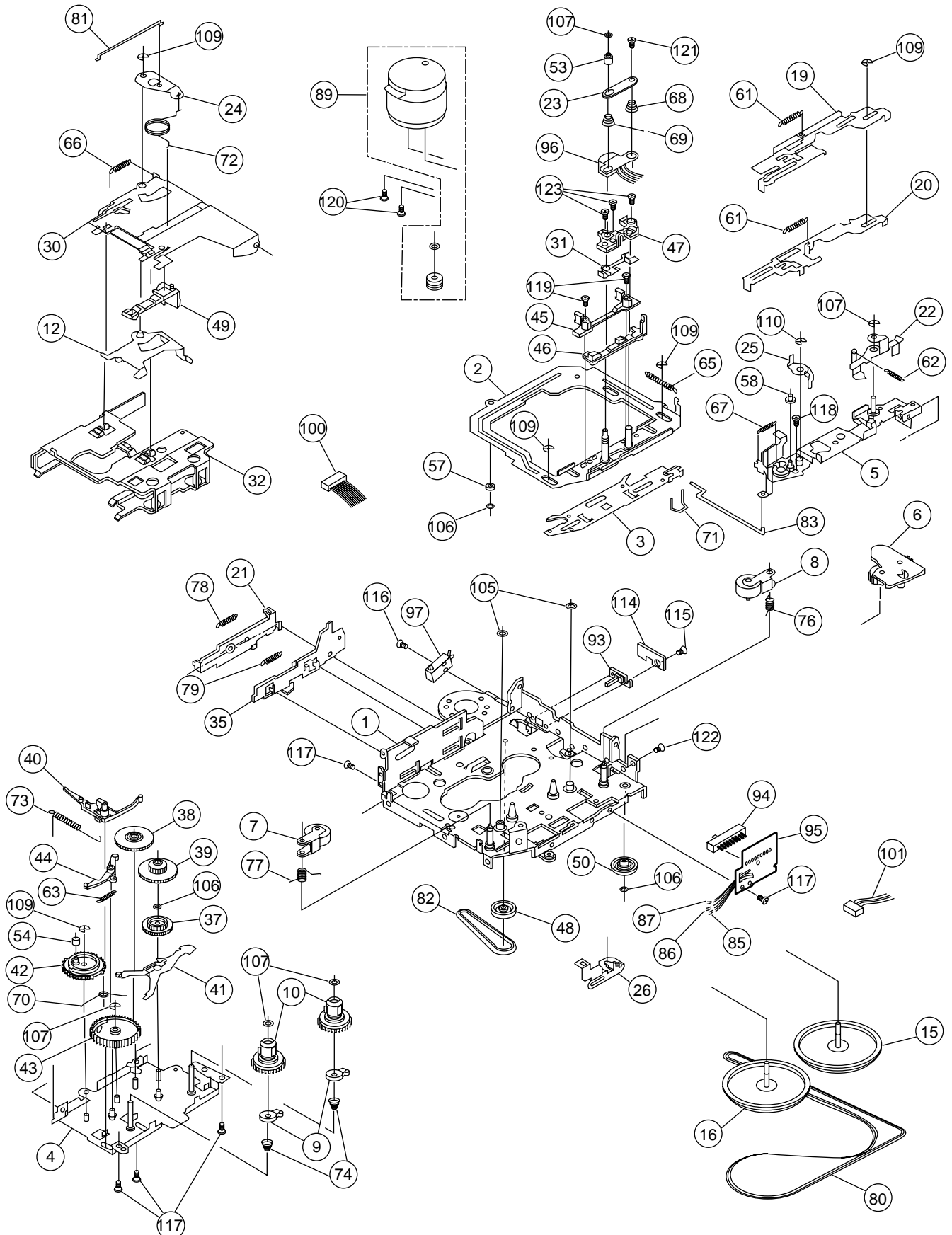
Block No. M1MM

⚠	Item	Parts number	Parts name	Q'ty	Description	Area
	48	FSYH3022-002	LCD CASE	1		
	49	FSKS3021-001	LENS CASE	1		
	50	GE30329-002A	NAME PLATE	1	KS-F360R	
		GE30330-002A	NAME PLATE	1	KS-F363R	
	51	VMA4652-001SS	EARTH PLATE	1		
	52	FSKL4018-00B	IC BRACKET	1		
	53	FSKM3012-012	REAR BRACKET	1		
	54	QYSDST2606Z	SCREW	1	REAR BKT+ANT JACK	
	55	QYSDSF3006Z	SCREW	1	REAR BKT+PIN JACK	
⚠	56	QMFZ047-100-T	FUSE	1		

Cassette mechanism assembly and parts list

CDS-363SJ1

Block No. M P M M



■ Parts list (Cassette mechanism)

Block No. MPMM

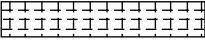


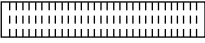

△	Item	Parts number	Parts name	Q'ty	Description	Area
	1	X-0363-1001S	MAIN CHASSIS AS	1		
	2	X-0363-1002S	HEAD PLATE ASSY	1		
	3	X-0363-1004S	FR CONV ARM (A)	1		
	4	X-0363-6001S	REEL BASE ASSY	1		
	5	X-0363-6007S	LEVER BRKT ASSY	1		
	6	X-0363-6003S	TU GEAR ARM ASS	1		
	7	X-0363-6004S	PINCH ARM(R) AS	1		
	8	X-0363-6005S	PINCH ARM(F) AS	1		
	9	X-0363-6006S	DETECTOR CAM AS	2		
	10	X-0363-2005S	REEL SPINDLE AS	2		
	12	X-0363-1019S	EJ.CAM LOCK ASY	1		
	15	1-0363-6010S	FLYWHEEL ASSY F	1		
	16	1-0363-6011S	FLYWHEEL ASSY R	1		
	19	1-0036-1065S	FF LEVER(JVC)	1		
	20	1-0036-1066S	REW LEVER(JVC)	1		
	21	1-0036-1007S	EJECT LEVER	1		
	22	1-0036-1013S	LOCK ARM	1		
	23	1-0036-1015S	SPG SUPPORT PLT	1		
	24	1-0036-1018S	CENTER PLATE	1		
	25	1-0036-1023S	CHANGE LEVER(B)	1		
	26	1-0036-1026S	FR ARM(B)	1		
	30	1-0138-1002S	CASSETTE HANGER	1		
	31	1-0138-1006S	ADJUSTER SHIN(X	1		
	32	1-0138-1010S	CASSETTE HOLDER	1		
	35	1-0363-1003S	EJECT CAM	1		
	37	1-0036-2001S	IDLE GEAR	1		
	38	1-0036-2003S	REDUCT.GEAR(B)	1		
	39	1-0036-2004S	REDUCT.GEAR(A)	1		
	40	1-0036-2007-5S	RATCHET	1		
	41	1-0036-2009S	SENSOR ARM	1		
	42	1-0036-2010S	SELECTOR GEAR	1		
	43	1-0036-2014S	DETECTOR GEAR	1		
	44	1-0038-2014S	GEAR LOCK ARM	1		
	45	1-0038-2018S	TAPE GUIDE	1		
	46	1-0363-2006S	ADJUSTER LINK(B	1		
	47	1-0138-2005-3S	ADJUSTER ARM(B)	1		
	48	1-0036-2005S	PULLEY GEAR	1		
	49	1-0032-2007S	TAPE HOOKER	1		
	50	1-0058-2021-5S	IDLER PULLEY(A)	1		
	53	1-0363-3018S	FF ROLLER	1		
	54	1-0036-3018S	COLLER	1		
	57	1-0363-3007S	HP ROLLER(A)	1		
	58	1-0363-3011S	PROGRAM ROLLER	1		
	61	1-0036-4001S	FF/REW LEVER SP	2		
	62	1-0036-4002S	LOCK LEVER SPG	1		
	63	1-0036-4003S	GEAR LOCK ARM S	1		
	65	1-0036-4006S	HEAD PLATE SPG	1		
	66	1-0036-4007S	EJ.CAM LOCK SPG	1		

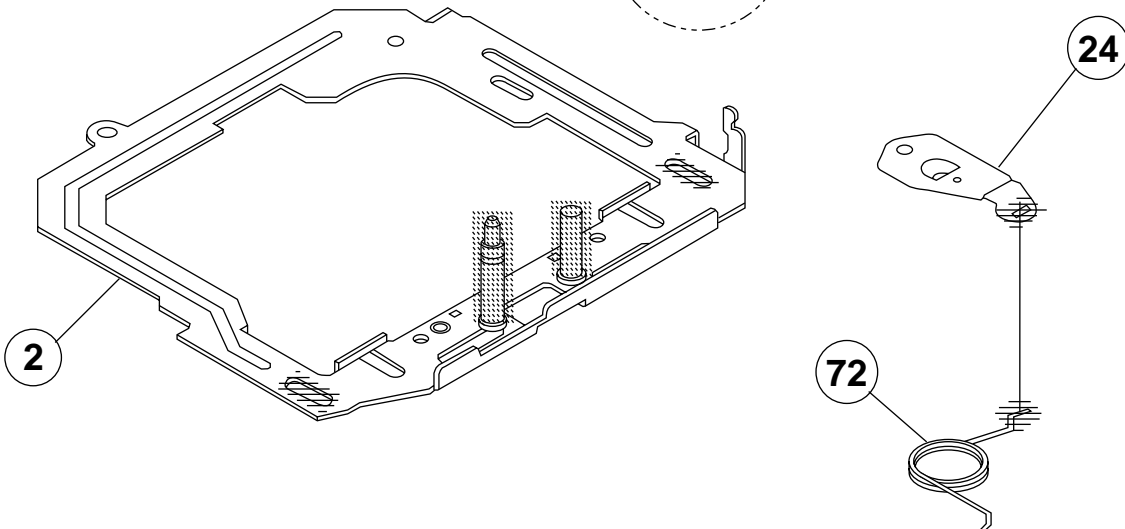
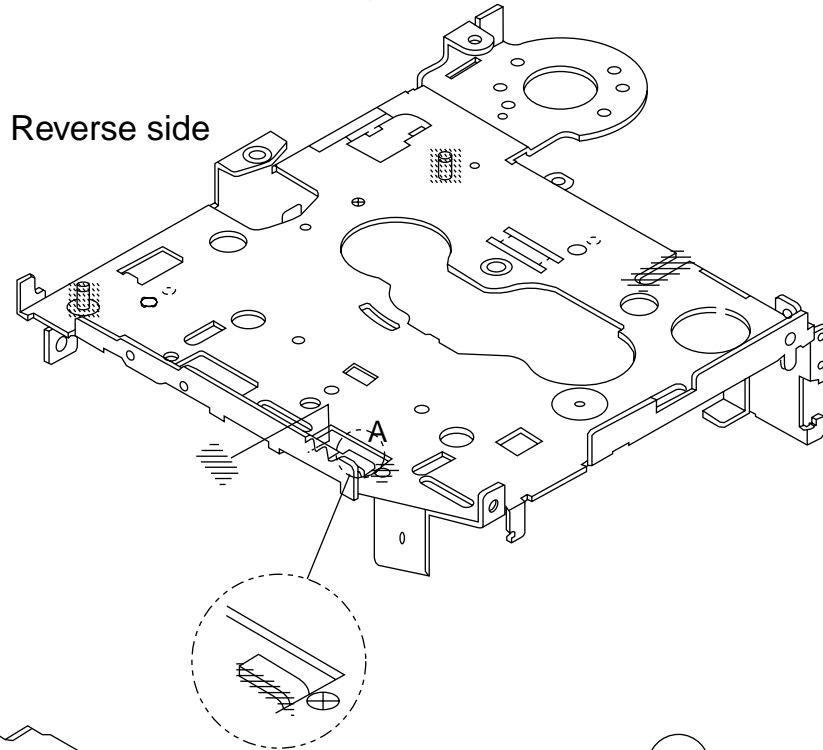
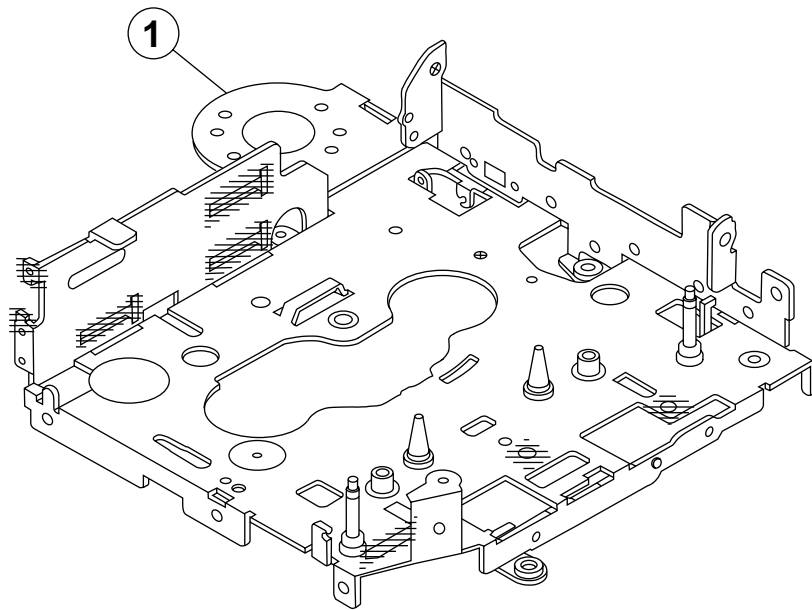
Parts list (Cassette mechanism)

Block No. MPMM

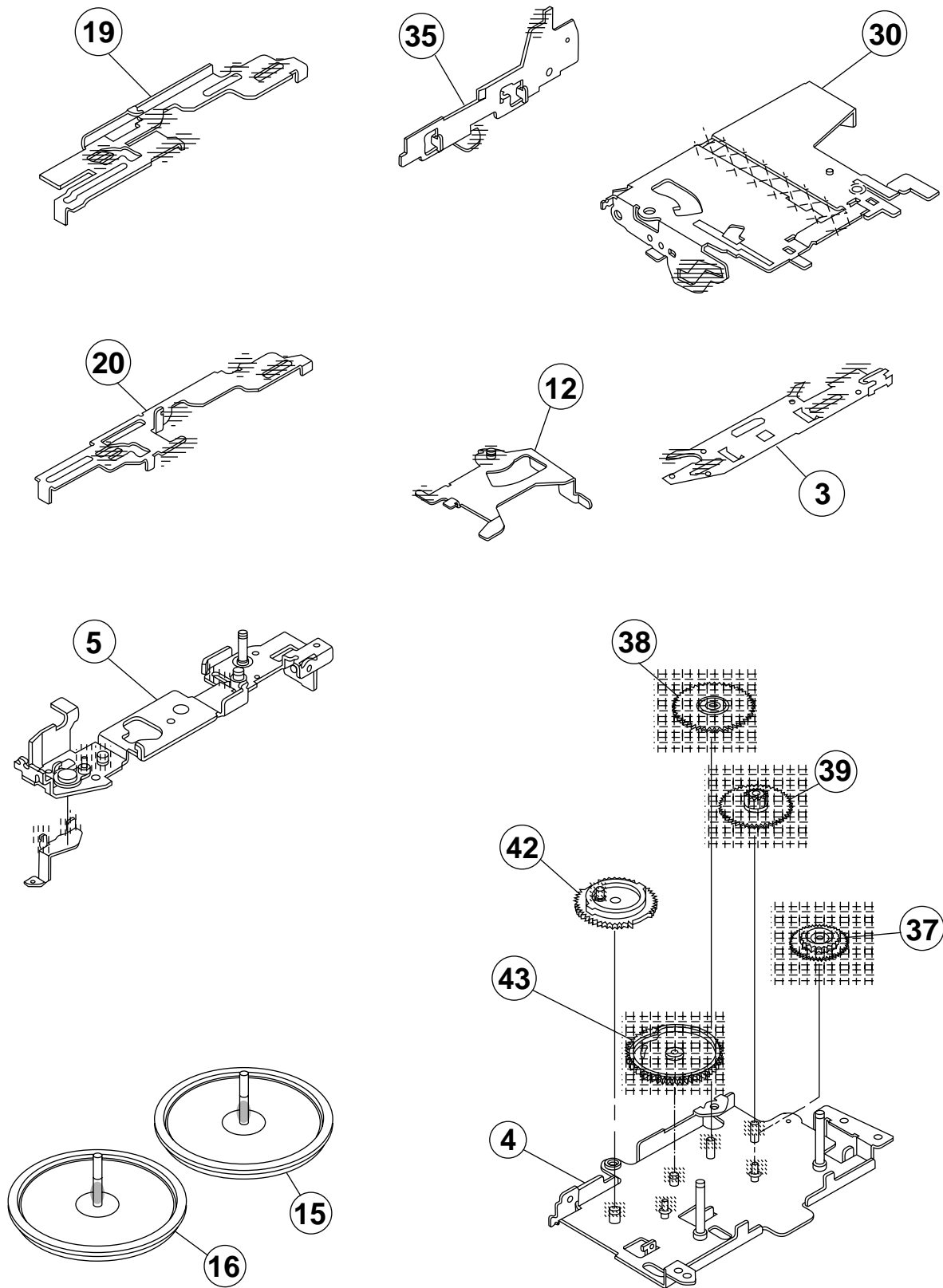
A	Item	Parts number	Parts name	Q'ty	Description	Area
	67	1-0036-4008S	PROGRAM ARM SPG	1		
	68	1-0036-4010S	ADJUST ARM SP(A)	1		
	69	1-0036-4011S	ADJUST ARM SP(B)	1		
	70	1-0036-4015S	DASH SPG	1		
	71	1-0036-4017S	CHANGING ARM SP	1		
	72	1-0036-4023S	CENTER PLT SP(B)	1		
	73	1-0038-4014S	RATCHET SPG	1		
	74	1-0138-4001S	BACK TENSION SP	2		
	76	1-0363-4003S	PINCH ARM SPG F	1		
	77	1-0363-4004S	PINCH ARM SPG R	1		
	78	1-0363-4005S	EJECT LEVER SPG	1		
	79	1-0036-4005S	EJECT CAM SPG	1		
	80	1-0036-5020S	MAIN BELT(AL)	1		
	81	1-0363-5007S	RETURN LINK	1		
	82	1-0036-5001S	SUB BELT	1		
	83	1-0363-5003S	SELECTOR LINK B	1		
	85	1-0036-7002S	WIRE(A)	1		
	86	1-0036-7003S	WIRE(B)	1		
	87	1-0036-7073S	WIRE(AL)	1		
	89	X-0363-7006S	MOTOR ASSY	1		
	93	1-0363-7001S	MUTE SW	1		
	94	1-0363-7002S	SLIDE SW	1		
	95	1-0363-7008S	SLIDE SW PWB	1		
	96	1-0036-7016S	HEAD	1		
	97	1-0363-7005S	POWER SW	1		
	100	1-0036-7089S	6P WIRE ASY(JVC	1		
	101	1-0036-7088S	5P WIRE ASY(JVC	1		
	105	2-1816-0032-E8S	MYLAR WASHER(S)	2		
	106	2-1812-0030-D2S	POLY WASHER(S)	3		
	107	1-0036-5024S	PSW(REEL)	5		
	109	2-1712-0050-16S	E RING	5		
	110	2-1712-5060-16S	E RING	1		
	114	1-0363-7015S	MUTE SW PWB	1		
	115	2-1331-7040-C2S	SCREW S	1		
	116	2-1331-7060-C2S	SCREW S	1		
	117	2-1382-0030-C2S	SCREW B	5		
	118	2-1332-0040-C1S	SCREW S	1		
	119	2-1032-0070-C2S	SCREW	2		
	120	2-1032-0025-C2S	SCREW	2		
	121	2-1012-0040-C2S	SCREW	1		
	122	2-1012-0030-F2S	SCREW	1		
	123	1-0138-5002S	AZIMUTH SCREW	3		

Grease point 1/2

Grease	
	FL-942
	SW-902
	SW-522B
	FG-84M
	C68



Grease point 2/2



■ Electrical parts list (Main board)

Block No. 01

△	Item	Parts number	Parts name	Remarks	Area	△	Item	Parts number	Parts name	Remarks	Area
C	1	QEKJ1HM-104Z	E CAPACITOR	.10MF 20% 50V		C	709	QERF0JM-107Z	E CAPACITOR	100MF 20% 6.3V	
C	6	NCB21EK-563X	C CAPACITOR			C	710	NCS21HJ-121X	C CAPACITOR		
C	7	NCB21EK-123X	C CAPACITOR			C	711	NCB21CK-224X	C CAPACITOR		
C	9	QERF1AM-227Z	E CAPACITOR	220MF 20% 10V		C	712	NCB21HK-104X	C CAPACITOR		
C	17	NCS21HJ-151X	C CAPACITOR			C	761	NCB21EK-223X	C CAPACITOR		
C	18	QERF1HM-224Z	E CAPACITOR	.22MF 20% 50V		C	762	NCS21HJ-561X	C CAPACITOR		
C	20	NCS21HJ-102X	C CAPACITOR			C	763	QEKJ1HM-225Z	E CAPACITOR	2.2MF 20% 50V	
C	21	QEQF1HM-225Z	NP E CAPACITOR	2.2MF 20% 50V		C	764	NDC21HJ-820X	C CAPACITOR		
C	24	NCB21EK-473X	C CAPACITOR			C	765	NDC21HJ-470X	C CAPACITOR		
C	25	NCB21EK-104X	C CAPACITOR			C	766	QERF1CM-476Z	E CAPACITOR	47MF 20% 16V	
C	30	NDC21HJ-470X	C CAPACITOR			C	767	NCB21HK-103X	C CAPACITOR		
C	101	NCS21HJ-821X	C CAPACITOR			C	901	QEKJ1AM-107Z	E CAPACITOR	100MF 20% 10V	
C	102	QEKJ1HM-474Z	E CAPACITOR	.47MF 20% 50V		C	911	QERF1CM-476Z	E CAPACITOR	47MF 20% 16V	
C	103	NCS21HJ-101X	C CAPACITOR			C	912	QERF1CM-107Z	E CAPACITOR	100MF 20% 16V	
C	104	QEKJ0JM-476Z	E CAPACITOR	47MF 20% 6.3V		C	913	QERF1CM-107Z	E CAPACITOR	100MF 20% 16V	
C	105	QFV61HJ-103Z	MF CAPACITOR	.010MF 5% 50V		C	932	NCB21EK-104X	C CAPACITOR		
C	111	QERF1HM-105Z	E CAPACITOR	1.0MF 20% 50V		C	941	NCB21EK-104X	C CAPACITOR		
C	112	QERF1HM-105Z	E CAPACITOR	1.0MF 20% 50V		C	942	NCB21EK-104X	C CAPACITOR		
C	113	QFLA1HJ-822Z	M CAPACITOR	8200PF 5% 50V		C	943	NCB21EK-104X	C CAPACITOR		
C	114	QFV61HJ-154Z	MF CAPACITOR	.15MF 5% 50V		C	944	NCB21EK-104X	C CAPACITOR		
C	115	QERF1HM-224Z	E CAPACITOR	.22MF 20% 50V		C	945	QEKJ1EM-475Z	E CAPACITOR	4.7MF 20% 25V	
C	116	QFV61HJ-333Z	MF CAPACITOR	.033MF 5% 50V		C	961	QETM1CM-228	E CAPACITOR	2200MF 20% 16V	
C	117	QFLA1HJ-562Z	M CAPACITOR	5600PF 5% 50V		C	962	QERF1CM-106Z	E CAPACITOR	10MF 20% 16V	
C	118	QERF1HM-105Z	E CAPACITOR	1.0MF 20% 50V		C	963	QERF1CM-106Z	E CAPACITOR	10MF 20% 16V	
C	119	QERF1HM-105Z	E CAPACITOR	1.0MF 20% 50V		C	964	QERF1AM-227Z	E CAPACITOR	220MF 20% 10V	
C	143	NCS21HJ-471X	C CAPACITOR			C	965	QERF1AM-227Z	E CAPACITOR	220MF 20% 10V	
C	144	NCS21HJ-471X	C CAPACITOR			C	966	QERF1CM-106Z	E CAPACITOR	10MF 20% 16V	
C	151	QERF1HM-105Z	E CAPACITOR	1.0MF 20% 50V		C	967	QERF1CM-106Z	E CAPACITOR	10MF 20% 16V	
C	152	NCB21HK-122X	C CAPACITOR			C	969	NCB21EK-473X	C CAPACITOR		
C	153	QERF1HM-105Z	E CAPACITOR	1.0MF 20% 50V		C	970	NCB21EK-473X	C CAPACITOR		
C	154	NCB21HK-153X	C CAPACITOR			C	971	NCB21EK-104X	C CAPACITOR		
C	201	NCS21HJ-821X	C CAPACITOR			C	977	QERF1AM-227Z	E CAPACITOR	220MF 20% 10V	
C	202	QERF1HM-474Z	E CAPACITOR	.47MF 20% 50V		C	978	QEKJ1EM-475Z	E CAPACITOR	4.7MF 20% 25V	
C	203	NCS21HJ-101X	C CAPACITOR			C	979	QEKJ1CM-106Z	E CAPACITOR	10MF 20% 16V	
C	204	QEKJ0JM-476Z	E CAPACITOR	47MF 20% 6.3V		C	980	NCB21HK-473X	C CAPACITOR		
C	205	QFV61HJ-103Z	MF CAPACITOR	.010MF 5% 50V		C	981	QEKJ0JM-107Z	E CAPACITOR	100MF 20% 6.3V	
C	211	QERF1HM-105Z	E CAPACITOR	1.0MF 20% 50V		C	982	QEKJ1CM-106Z	E CAPACITOR	10MF 20% 16V	
C	212	QERF1HM-105Z	E CAPACITOR	1.0MF 20% 50V		C	984	QERF1AM-227Z	E CAPACITOR	220MF 20% 10V	
C	213	QFLA1HJ-822Z	M CAPACITOR	8200PF 5% 50V		C	J701	VMC0334-001	CONNECTOR		
C	214	QFV61HJ-154Z	MF CAPACITOR	.15MF 5% 50V		C	J901	QGA2002C1-05	CONNECTOR		
C	215	QERF1HM-224Z	E CAPACITOR	.22MF 20% 50V		C	J902	QGA2002F1-06	CONNECTOR		
C	216	QFV61HJ-333Z	MF CAPACITOR	.033MF 5% 50V		C	N901	QGB1214J1-06S	CONNECTOR		
C	217	QFLA1HJ-562Z	M CAPACITOR	5600PF 5% 50V		C	N902	QGB1214J1-06S	CONNECTOR		
C	218	QERF1HM-105Z	E CAPACITOR	1.0MF 20% 50V		C	CP901	QGB1214K1-06S	CONNECTOR		
C	219	QERF1HM-105Z	E CAPACITOR	1.0MF 20% 50V		C	CP902	QGB1214K1-06S	CONNECTOR		
C	243	NCS21HJ-471X	C CAPACITOR			C	CP961	QNZ0112-001	CAR CONNECTOR		
C	244	NCS21HJ-471X	C CAPACITOR			D	1	1SS119-041	SI DIODE		
C	251	QEKJ1HM-105Z	E CAPACITOR	1.0MF 20% 50V		D	2	1SS119-041	SI DIODE		
C	252	NCB21HK-122X	C CAPACITOR			D	3	MA152WK-X	SI DIODE		
C	253	QERF1HM-105Z	E CAPACITOR	1.0MF 20% 50V		D	5	1SS119-041	SI DIODE		
C	254	NCB21HK-153X	C CAPACITOR			D	6	MTZJ9.1C-T2	Z DIODE		
C	301	NCB21HK-331X	C CAPACITOR			D	701	RB721Q-T2	S.B.DIODE		
C	302	NCB21HK-103X	C CAPACITOR			D	741	1SS119-041	SI DIODE		
C	303	NCB21EK-472X	C CAPACITOR			D	742	1SS119-041	SI DIODE		
C	304	NCB21EK-104X	C CAPACITOR			D	744	DSK10C-T1	DIODE		
C	305	QEKJ1HM-225Z	E CAPACITOR	2.2MF 20% 50V		D	776	DSK10C-T1	DIODE		
C	701	NDC21HJ-270X	C CAPACITOR			D	931	MA152WA-X	DIODE		
C	702	NDC21HJ-270X	C CAPACITOR			D	951	1SS133-T2	SI DIODE		
C	703	NCB21EK-104X	C CAPACITOR			D	961	1N5401-TU-15	DIODE		
C	704	NCB21EK-104X	C CAPACITOR			D	963	MA152WA-X	DIODE		
C	705	NCB21HK-102X	C CAPACITOR			D	965	DSK10C-T1	DIODE		
C	707	NCB21EK-104X	C CAPACITOR			D	966	DSK10C-T1	DIODE		
C	708	QERF1AM-227Z	E CAPACITOR	220MF 20% 10V		D	977	MA152WK-X	SI DIODE		

■ Electrical parts list (Main board)

Block No. 01

▲	Item	Parts number	Parts name	Remarks	Area	▲	Item	Parts number	Parts name	Remarks	Area
	D 978	MTZJ11B-T2	ZENER DIODE				R 101	NRSA02J-153X	MG RESISTOR		
	D 980	MA152WA-X	DIODE				R 103	NRSA02J-101X	MG RESISTOR		
	D 981	MA152WA-X	DIODE				R 104	NRSA02J-334X	MG RESISTOR		
	D 982	MA152WK-X	SI DIODE				R 112	NRSA02J-223X	MG RESISTOR		
	IC701	UPD178016AGC555	IC				R 113	NRSA02J-222X	MG RESISTOR		
	IC761	SAA6579T-X	IC				R 132	NRSA02J-222X	MG RESISTOR		
	IC901	UPC1228HA	IC				R 135	NRSA02J-101X	MG RESISTOR		
	IC911	TEA6320T-X	IC				R 136	NRSA02J-102X	MG RESISTOR		
	IC941	HA13158A	IC				R 141	NRSA02J-153X	MG RESISTOR		
	IC961	AN80T05LF	IC				R 142	NRSA02J-153X	MG RESISTOR		
	J 1	QNZ0009-001	ANTENNA JACK				R 143	NRSA02J-393X	MG RESISTOR		
	J 931	QNN0183-001	PIN JACK				R 144	NRSA02J-393X	MG RESISTOR		
	L 1	QQL231K-4R7Y	INDUCTOR				R 151	NRSA02J-103X	MG RESISTOR		
	L 701	QQL231K-470Y	INDUCTOR				R 152	NRSA02J-223X	MG RESISTOR		
	L 961	QQR0528-002	CHOKE COIL				R 153	NRSA02J-472X	MG RESISTOR		
	Q 1	DTC114EKA-X	TRANSISTOR				R 201	NRSA02J-153X	MG RESISTOR		
	Q 2	DTC114EKA-X	TRANSISTOR				R 203	NRSA02J-101X	MG RESISTOR		
	Q 3	2SC2412K/R/-X	TRANSISTOR				R 204	NRSA02J-334X	MG RESISTOR		
	Q 4	DTA114EKA-X	D.TRANSISTOR				R 212	NRSA02J-223X	MG RESISTOR		
	Q 5	2SA1037AK/RS/-X	TRANSISTOR				R 213	NRSA02J-222X	MG RESISTOR		
	Q 6	2SA1037AK/RS/-X	TRANSISTOR				R 232	NRSA02J-222X	MG RESISTOR		
	Q 7	2SC3661-X	TRANSISTOR				R 235	NRSA02J-101X	MG RESISTOR		
	Q 10	2SC3661-X	TRANSISTOR				R 236	NRSA02J-102X	MG RESISTOR		
	Q 11	2SC2412K/R/-X	TRANSISTOR				R 241	NRSA02J-153X	MG RESISTOR		
	Q 12	2SC2412K/R/-X	TRANSISTOR				R 242	NRSA02J-153X	MG RESISTOR		
	Q 131	2SC2412K/R/-X	TRANSISTOR				R 243	NRSA02J-393X	MG RESISTOR		
	Q 151	2SC2412K/R/-X	TRANSISTOR				R 244	NRSA02J-393X	MG RESISTOR		
	Q 231	2SC2412K/R/-X	TRANSISTOR				R 251	NRSA02J-103X	MG RESISTOR		
	Q 251	2SC2412K/R/-X	TRANSISTOR				R 252	NRSA02J-223X	MG RESISTOR		
	Q 301	2SD601A/R/-X	TRANSISTOR				R 253	NRSA02J-472X	MG RESISTOR		
	Q 302	2SD601A/R/-X	TRANSISTOR				R 301	NRSA02J-473X	MG RESISTOR		
	Q 701	2SC2412K/R/-X	TRANSISTOR				R 302	NRSA02J-473X	MG RESISTOR		
	Q 951	DTA114EKA-X	D.TRANSISTOR				R 303	NRSA02J-103X	MG RESISTOR		
	Q 959	DTC114EKA-X	TRANSISTOR				R 304	NRSA02J-222X	MG RESISTOR		
	Q 960	2SA1037AK/RS/-X	TRANSISTOR				R 305	NRSA02J-153X	MG RESISTOR		
	Q 961	2SA1037AK/RS/-X	TRANSISTOR				R 306	NRSA02J-471X	MG RESISTOR		
	Q 962	2SB1322/RS-T	TRANSISTOR				R 307	NRSA02J-103X	MG RESISTOR		
	Q 963	2SA1037AK/RS/-X	TRANSISTOR				R 701	NRSA02J-271X	MG RESISTOR		
	Q 964	DTC114EKA-X	TRANSISTOR				R 702	NRS181J-271X	MG RESISTOR		
	Q 965	DTC114EKA-X	TRANSISTOR				R 703	NRS181J-271X	MG RESISTOR		
	Q 966	DTC114EKA-X	TRANSISTOR				R 704	NRSA02J-271X	MG RESISTOR		
	Q 967	2SA1037AK/RS/-X	TRANSISTOR				R 705	NRSA02J-103X	MG RESISTOR		
	Q 978	DTC114EKA-X	TRANSISTOR				R 706	NRSA02J-473X	MG RESISTOR		
	Q 979	DTA114EKA-X	D.TRANSISTOR				R 708	NRSA02J-104X	MG RESISTOR		
	Q 980	DTC114EKA-X	TRANSISTOR				R 709	NRSA02J-104X	MG RESISTOR		
	Q 981	DTA114EKA-X	D.TRANSISTOR				R 710	NRS181J-472X	MG RESISTOR		
	R 3	NRSA02J-472X	MG RESISTOR				R 711	NRSA02J-391X	MG RESISTOR		
	R 4	NRSA02J-473X	MG RESISTOR				R 712	NRS181J-103X	MG RESISTOR		
	R 5	NRSA02J-332X	MG RESISTOR				R 713	NRSA02J-103X	MG RESISTOR		
	R 7	NRSA02J-473X	MG RESISTOR				R 715	NRS181J-103X	MG RESISTOR		
	R 8	NRSA02J-472X	MG RESISTOR				R 716	NRS181J-103X	MG RESISTOR		
	R 9	NRSA02J-102X	MG RESISTOR				R 717	NRS181J-103X	MG RESISTOR		
	R 10	NRSA02J-392X	MG RESISTOR				R 718	NRS181J-472X	MG RESISTOR		
	R 12	NRSA02J-102X	MG RESISTOR				R 719	NRSA02J-472X	MG RESISTOR		
	R 14	NRS181J-471X	MG RESISTOR				R 720	NRSA02J-472X	MG RESISTOR		
	R 24	NRSA02J-102X	MG RESISTOR				R 721	NRS181J-472X	MG RESISTOR		
	R 25	NRSA02J-102X	MG RESISTOR				R 722	NRSA02J-472X	MG RESISTOR		
	R 26	NRSA02J-103X	MG RESISTOR				R 723	NRS181J-472X	MG RESISTOR		
	R 27	NRSA02J-102X	MG RESISTOR				R 724	NRS181J-472X	MG RESISTOR		
	R 29	NRSA02J-152X	MG RESISTOR				R 725	NRS181J-472X	MG RESISTOR		
	R 30	NRS181J-8R2X	MG RESISTOR				R 726	NRS181J-472X	MG RESISTOR		
	R 32	NRSA02J-0R0X	MG RESISTOR				R 727	NRSA02J-472X	MG RESISTOR		
	R 34	NRSA02J-223X	MG RESISTOR				R 733	NRS181J-472X	MG RESISTOR		

■ Electrical parts list (Main board)

Block No. 01

△	Item	Parts number	Parts name	Remarks	Area
	R 734	NRSA02J-472X	MG RESISTOR		
	R 736	NRSA02J-103X	MG RESISTOR		
	R 737	NRSA02J-473X	MG RESISTOR		
	R 738	NRSA02J-473X	MG RESISTOR		
	R 740	NRSA02J-473X	MG RESISTOR		
	R 743	NRSA02J-103X	MG RESISTOR		
	R 746	NRSA02J-473X	MG RESISTOR		
	R 747	NRSA02J-473X	MG RESISTOR		
	R 750	NRSA02J-473X	MG RESISTOR		
	R 751	NRSA02J-104X	MG RESISTOR		
	R 752	NRSA02J-334X	MG RESISTOR		
	R 753	NRSA02J-223X	MG RESISTOR		
	R 757	NRSA02J-104X	MG RESISTOR		
	R 759	NRSA02J-334X	MG RESISTOR		
	R 761	NRSA02J-222X	MG RESISTOR		
	R 762	NRSA02J-222X	MG RESISTOR		
	R 763	NRSA02J-222X	MG RESISTOR		
	R 773	NRSA02J-473X	MG RESISTOR		
	R 911	NRSA02J-271X	MG RESISTOR		
	R 912	NRSA02J-271X	MG RESISTOR		
	R 913	NRS181J-100X	MG RESISTOR		
	R 941	NRSA02J-473X	MG RESISTOR		
	R 959	NRSA02J-222X	MG RESISTOR		
	R 960	NRSA02J-273X	MG RESISTOR		
	R 961	QRE141J-470Y	C RESISTOR	47.5% 1/4W	
	R 962	NRSA02J-682X	MG RESISTOR		
	R 963	NRS181J-123X	MG RESISTOR		
	R 966	NRSA02J-473X	MG RESISTOR		
	R 967	NRSA02J-222X	MG RESISTOR		
	R 969	NRS181J-222X	MG RESISTOR		
	R 970	NRS181J-473X	MG RESISTOR		
	R 974	NRSA02J-123X	MG RESISTOR		
	R 975	NRSA02J-243X	MG RESISTOR		
	R 977	NRS181J-181X	MG RESISTOR		
	R 978	NRSA02J-473X	MG RESISTOR		
	R 979	NRSA02J-473X	MG RESISTOR		
	R 980	NRSA02J-102X	MG RESISTOR		
	TU 1	QAU0222-001	TUNER		
	X 701	QAX0406-002Z	CRYSTAL		
	X 761	QAX0263-001Z	CRYSTAL		

■ Electrical parts list (Front board)

Block No. 02

△	Item	Parts number	Parts name	Remarks	Area	△	Item	Parts number	Parts name	Remarks	Area
	C 651	NCB21EK-103X	C CAPACITOR				R 615	NRSA02J-182X	MG RESISTOR		
	C 652	NBE20JM-475X	TS E CAPACITOR				R 616	NRSA02J-272X	MG RESISTOR		
	C 653	NCB21HK-681X	C CAPACITOR				R 617	NRSA02J-392X	MG RESISTOR		
	CP701	VMC0335-001	CONNECTOR				R 621	NRSA02J-332X	MG RESISTOR		
	D 601	LNJ308G81/1-3/X	LED	KS-F360R			R 622	NRSA02J-332X	MG RESISTOR		
	D 601	SML-310DT/KL/-X	LED	KS-F363R			R 623	NRSA02J-332X	MG RESISTOR		
	D 602	SML-310DT/KL/-X	LED	KS-F363R			R 632	NRSA02J-821X	MG RESISTOR		
	D 602	LNJ308G81/1-3/X	LED	KS-F360R			R 633	NRSA02J-821X	MG RESISTOR		
	D 603	LNJ308G81/1-3/X	LED	KS-F360R			R 640	NRSA02J-331X	MG RESISTOR		
	D 603	SML-310DT/KL/-X	LED	KS-F363R			R 641	NRSA02J-331X	MG RESISTOR		
	D 604	SML-310DT/KL/-X	LED	KS-F363R			R 642	NRSA02J-821X	MG RESISTOR		
	D 604	LNJ308G81/1-3/X	LED	KS-F360R			R 644	NRSA02J-821X	MG RESISTOR		
	D 605	LNJ308G81/1-3/X	LED	KS-F360R			R 646	NRSA02J-821X	MG RESISTOR		
	D 605	SML-310DT/KL/-X	LED	KS-F363R			R 648	NRSA02J-821X	MG RESISTOR		
	D 609	SML-310DT/KL/-X	LED	KS-F363R			R 650	NRSA02J-511X	MG RESISTOR		
	D 609	LNJ308G81/1-3/X	LED	KS-F360R			R 651	NRSA02J-511X	MG RESISTOR		
	D 610	LNJ308G81/1-3/X	LED	KS-F360R			R 661	NRSA02J-152X	MG RESISTOR		
	D 610	SML-310DT/KL/-X	LED	KS-F363R			R 662	NRSA02J-473X	MG RESISTOR		
	D 611	LNJ308G81/1-3/X	LED	KS-F360R			R 663	NRSA02J-154X	MG RESISTOR		
	D 611	SML-310DT/KL/-X	LED	KS-F363R			S 601	NSW0124-001X	TACT SWITCH		
	D 612	LNJ308G81/1-3/X	LED	KS-F360R			S 602	NSW0124-001X	TACT SWITCH		
	D 612	SML-310DT/KL/-X	LED	KS-F363R			S 603	NSW0124-001X	TACT SWITCH		
	D 613	SML-310DT/KL/-X	LED	KS-F363R			S 604	NSW0124-001X	TACT SWITCH		
	D 613	LNJ308G81/1-3/X	LED	KS-F360R			S 605	NSW0124-001X	TACT SWITCH		
	D 614	LNJ308G81/1-3/X	LED	KS-F360R			S 606	NSW0124-001X	TACT SWITCH		
	D 614	SML-310DT/KL/-X	LED	KS-F363R			S 607	NSW0124-001X	TACT SWITCH		
	D 615	SML-310DT/KL/-X	LED	KS-F363R			S 608	NSW0124-001X	TACT SWITCH		
	D 615	LNJ308G81/1-3/X	LED	KS-F360R			S 609	NSW0124-001X	TACT SWITCH		
	D 616	LNJ308G81/1-3/X	LED	KS-F360R			S 610	NSW0124-001X	TACT SWITCH		
	D 616	SML-310DT/KL/-X	LED	KS-F363R			S 611	NSW0124-001X	TACT SWITCH		
	D 618	SML-310DT/KL/-X	LED	KS-F363R			S 612	NSW0124-001X	TACT SWITCH		
	D 618	LNJ308G81/1-3/X	LED	KS-F360R			S 613	NSW0124-001X	TACT SWITCH		
	D 619	LNJ308G81/1-3/X	LED	KS-F360R			S 614	NSW0124-001X	TACT SWITCH		
	D 619	SML-310DT/KL/-X	LED	KS-F363R			S 615	NSW0124-001X	TACT SWITCH		
	D 620	SML-310DT/KL/-X	LED	KS-F363R			S 616	NSW0124-001X	TACT SWITCH		
	D 620	LNJ308G81/1-3/X	LED	KS-F360R			S 617	NSW0124-001X	TACT SWITCH		
	D 621	LNJ308G81/1-3/X	LED	KS-F360R			S 618	NSW0124-001X	TACT SWITCH		
	D 621	SML-310DT/KL/-X	LED	KS-F363R			S 619	NSW0124-001X	TACT SWITCH		
	D 622	SML-310DT/KL/-X	LED	KS-F363R			S 620	NSW0124-001X	TACT SWITCH		
	D 622	LNJ308G81/1-3/X	LED	KS-F360R							
	D 623	SML-310LT/MN/-X	LED								
	D 624	LNJ308G81/1-3/X	LED	KS-F360R							
	D 624	SML-310DT/KL/-X	LED	KS-F363R							
	D 654	MA152WK-X	SI DIODE								
	IC651	LC75823W	IC								
	PL601	QLL0092-001	PILOT LAMP	KS-F360R							
	PL601	QLL0076-001	PILOT LAMP	KS-F363R							
	PL603	QLL0076-001	PILOT LAMP	KS-F363R							
	PL603	QLL0092-001	PILOT LAMP	KS-F360R							
	R 601	NRSA02J-561X	MG RESISTOR								
	R 602	NRSA02J-821X	MG RESISTOR								
	R 603	NRSA02J-122X	MG RESISTOR								
	R 604	NRSA02J-182X	MG RESISTOR								
	R 605	NRSA02J-272X	MG RESISTOR								
	R 606	NRSA02J-561X	MG RESISTOR								
	R 607	NRSA02J-821X	MG RESISTOR								
	R 608	NRSA02J-122X	MG RESISTOR								
	R 609	NRSA02J-182X	MG RESISTOR								
	R 610	NRSA02J-272X	MG RESISTOR								
	R 611	NRSA02J-392X	MG RESISTOR								
	R 612	NRSA02J-561X	MG RESISTOR								
	R 613	NRSA02J-821X	MG RESISTOR								
	R 614	NRSA02J-122X	MG RESISTOR								

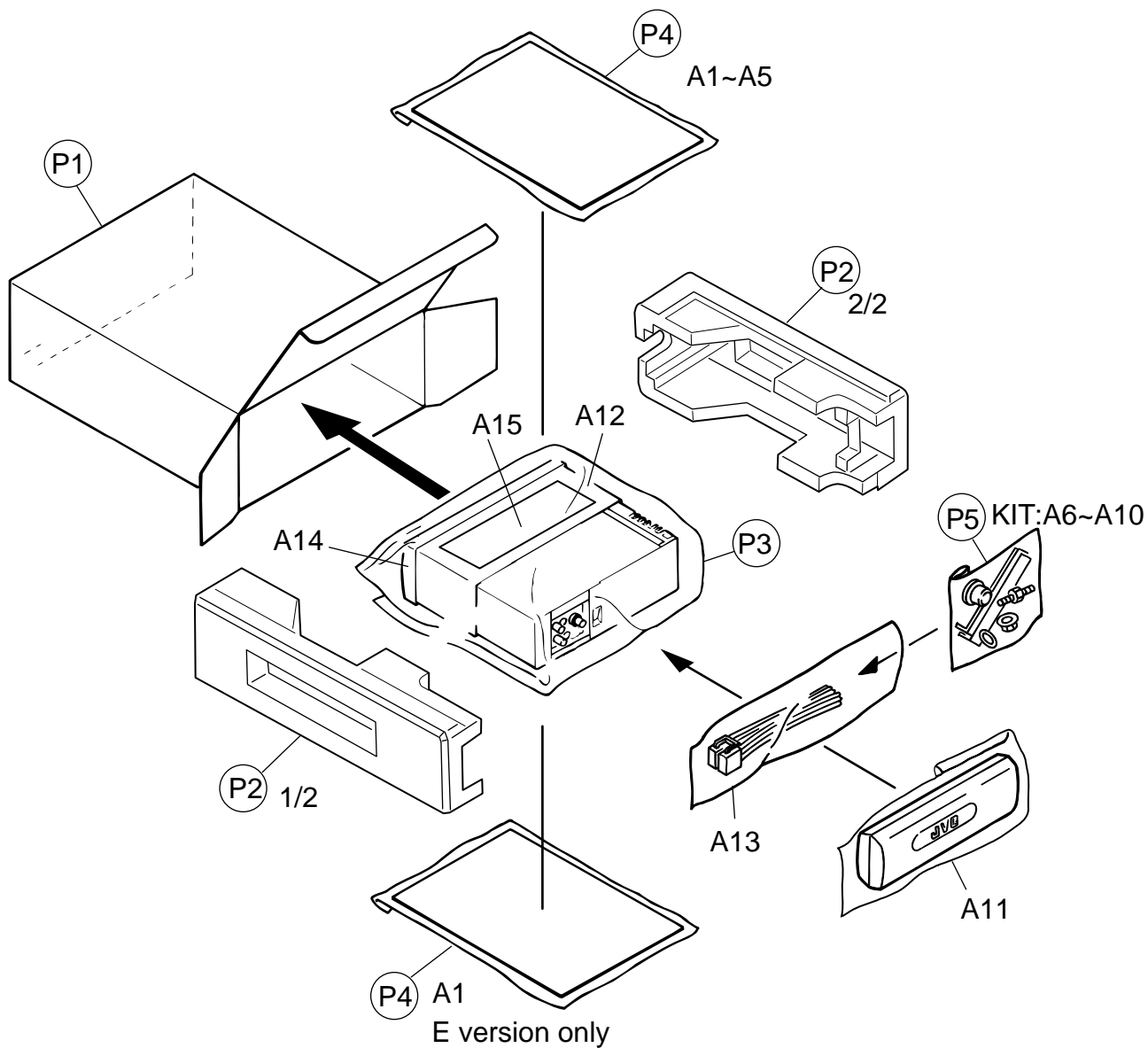
Packing materials and accessories parts list

Block No.

M	3	M	M
---	---	---	---

Block No.

M	5	M	M
---	---	---	---



Parts list (Packing)

Block No. M3MM

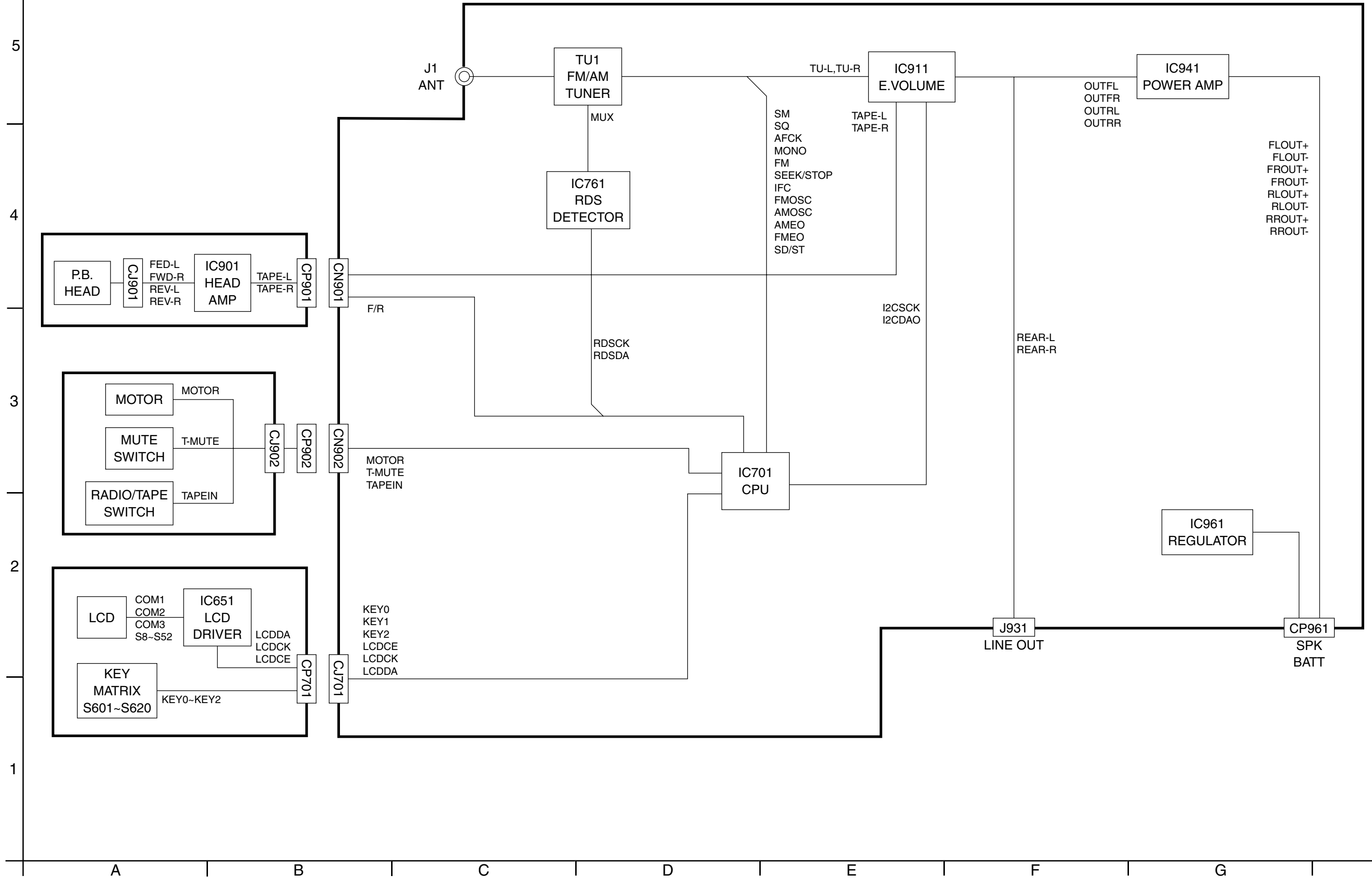
△	Item	Parts number	Parts name	Q'ty	Description	Area
	P 1	GE30123-051A	PACKING CASE	1	KS-F360R	
		GE30123-052A	PACKING CASE	1	KS-F363R	
	P 2	LV10448-001A	PACKING CUSHION	1		
	P 3	QPC03004315P	POLY BAG	1		
	P 4	FSPG4002-001	POLY BAG	2	INST.BOOK	E
		FSPG4002-001	POLY BAG	1	INST.BOOK	EX
	P 5	QPA00801205	POLY BAG	1	SCREW	

Parts list (Accessories)

Block No. M5MM

△	Item	Parts number	Parts name	Q'ty	Description	Area
	A 1	GET0054-001A	INST.BOOK	1	ENG,GER,FRE,DUT	E,EX
	A 2	GET0054-002A	INST.BOOK	1	SPA,ITA,SWE,RUS	E
	A 3	GET0054-003A	INSTALL MANUALL	1	ENG,GER,FRE,DUT	E,EX
	A 4	GET0054-004A	INSTALL MANUALL	1	SPA,ITA,SWE,RUS	E
	A 5	BT-54013-2	W.CARD	1		
	A 6	VKZ4027-202	PLUG NUT	1		
	A 7	VKH4871-001SS	MOUNT BOLT	1		
	A 8	VKZ4328-001	LOCK NUT	1	FOR M5	
	A 9	WNS5000Z	WASHER	1		
	A 10	FSKL4010-002	HOOK	2		
	A 11	FSJB3002-30C	HARD CASE	1		
	A 12	FSKM2004-202	MOUNTING SLEEVE	1		
	A 13	QAM0175-001	POWER CORD	1		
	A 14	FSJD2034-001	TRIM PLATE	1		
	A 15	LV40978-001A	CAUTION SHEET	1		
	KIT	KDGS717K-SCREW1	SCREW PARTS KIT	1	A6-A10	

Block diagram

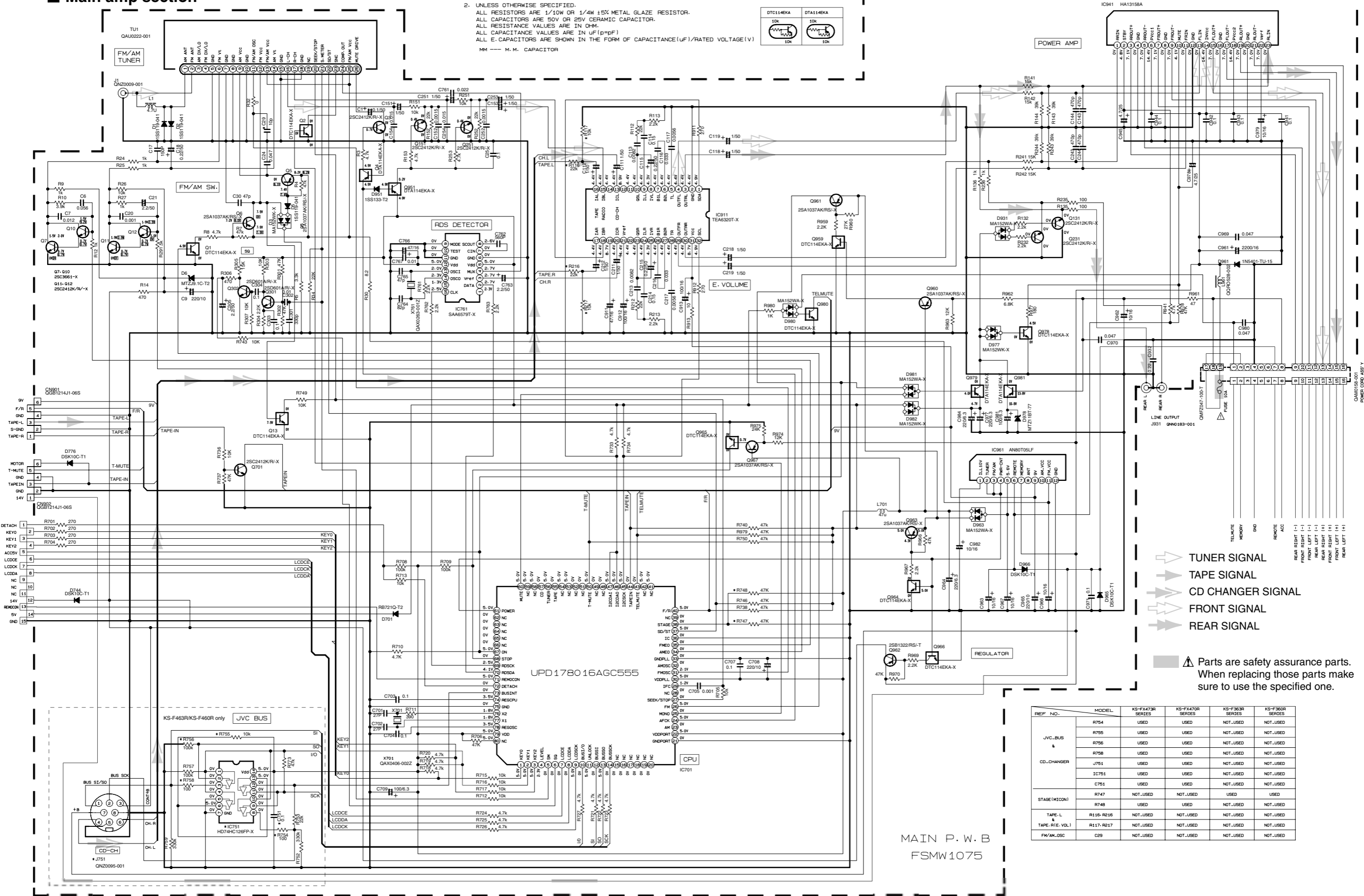
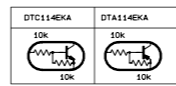


Standard schematic diagrams

Main amp section

NOTES

- CONDITION—FM
1. VOLTAGES ARE DC-MEASURED WITH A DIGITAL VOLT METER WITHOUT INPUT SIGNAL
CONDITION—FM MODE. □ AM MODE
2. UNLESS OTHERWISE SPECIFIED:
ALL RESISTORS ARE 1/10W OR 1/4W 1% METAL GLAZE RESISTOR.
ALL CAPACITORS ARE 50V OR 25V CERAMIC CAPACITOR.
ALL RESISTANCE VALUES ARE IN OHM.
ALL CAPACITANCE VALUES ARE IN UF (PFF)
ALL CAPACITORS ARE SHOWN IN THE FORM OF CAPACITANCE(UF)/RATED VOLTAGE(V)
MM — M.M. CAPACITOR



- ▶ TUNER SIGNAL
 - ▶ TAPE SIGNAL
 - ▶ CD CHANGER SIGNAL
 - ▶ FRONT SIGNAL
 - ▶ REAR SIGNAL
- ⚠ Parts are safety assurance parts. When replacing those parts make sure to use the specified one.

REF. NO.	MODEL	KS-FX473R SERIES	KS-FX470R SERIES	KS-F363R SERIES	KS-F360R SERIES
JVC-BUS & CD-CHANGER	R754	USED	USED	NOT_USED	NOT_USED
	R755	USED	USED	NOT_USED	NOT_USED
	R756	USED	USED	NOT_USED	NOT_USED
STAGE (MICON)	R747	NOT_USED	NOT_USED	USED	USED
	R748	USED	USED	NOT_USED	NOT_USED
TAPE. L & TAPE. (R/E. VOL.)	R116, R216	NOT_USED	NOT_USED	NOT_USED	NOT_USED
	R117, R217	NOT_USED	NOT_USED	NOT_USED	NOT_USED
FM/AM_OSC	C29	NOT_USED	NOT_USED	NOT_USED	NOT_USED

MAIN P. W. B
FSMW1075

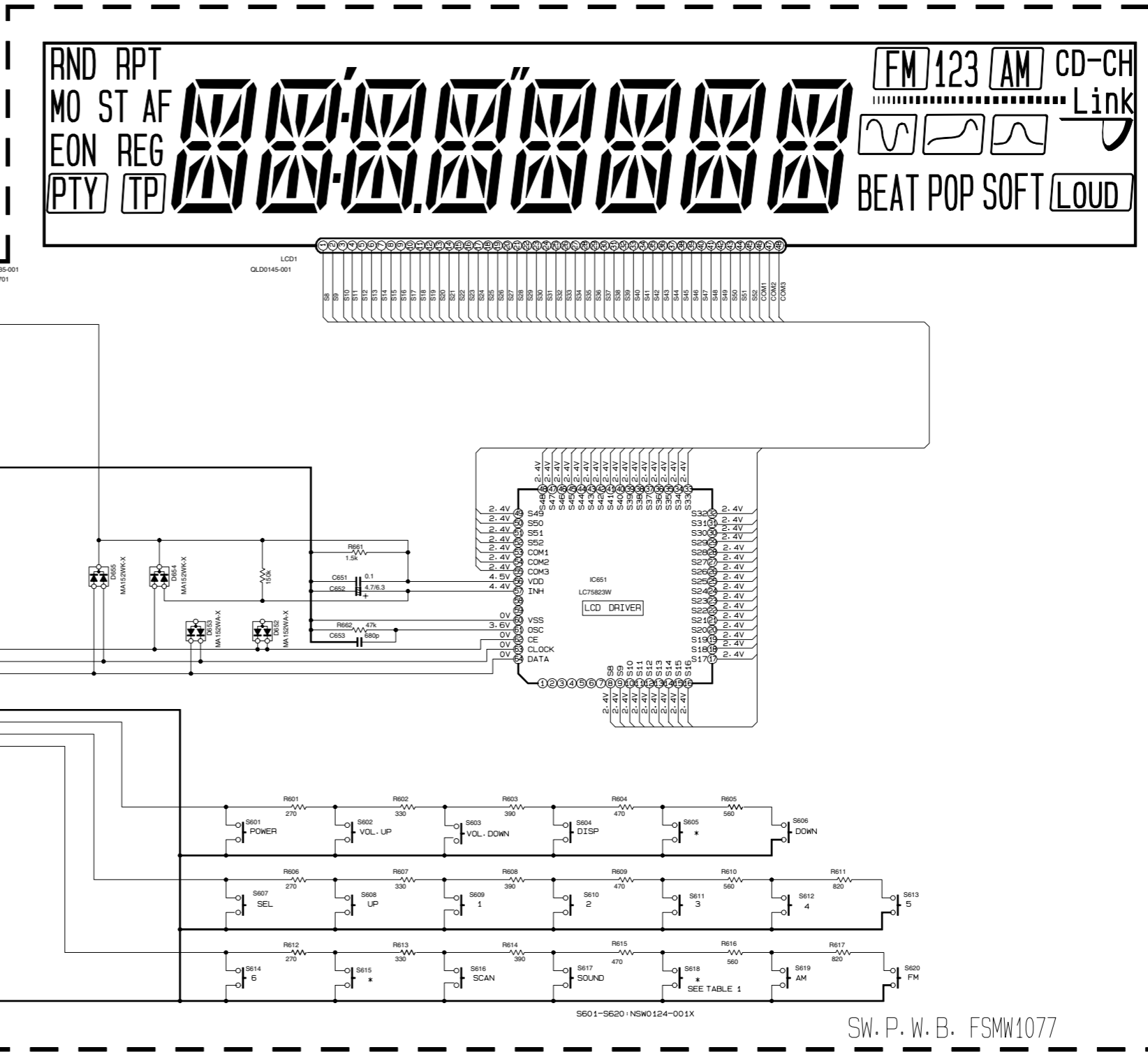
5
4
3
2
1

A B C D E F G

■ LCD & Key control section

NOTES

- VOLTAGES ARE DC-MEASURED WITH A DIGITAL VOLT METER WITHOUT INPUT SIGNAL.
CONDITION - - - FM MODE
- UNLESS OTHERWISE SPECIFIED:
ALL RESISTORS ARE 1/4W 5% CARBON RESISTOR OR 1/4W 1/10W 5% METAL GLAZE RESISTOR.
ALL CAPACITORS ARE 50V CERAMIC CAPACITOR.
ALL RESISTANCE VALUES ARE IN OHM (Ω).
ALL CAPACITANCE VALUES ARE IN μF (P=pF).
ALL E. CAPACITORS ARE SHOWN IN THE FORM OF CAPACITANCE(μF) / RATED VOLTAGE(V).



SW. P. W. B. FSMW1077

REF. NO.	VERSION	KS-FX473R SERIES	KS-FX470R SERIES	KS-F363R SERIES	KS-F360R SERIES
D601 - D622 / D624		SML-310DT/KL/-X	LNJ308G81/1-3/-X	SML-310DT/KL/-X	LNJ308G81/1-3/X
D613		SML-310DT/KL/-X	LNJ308G81/1-3/X	SML-310DT/KL/-X	LNJ308G81/1-3/X
D623		SML-310LT/MN/-X	SML-310LT/MN/-X	SML-310LT/MN/-X	SML-310LT/MN/-X

REF. NO.	MODEL	KS-FX473R SERIES	KS-FX470R SERIES	KS-F363R SERIES	KS-F360R SERIES
S605		MO/RND	MO/RND	MO	MO
S615		CD-CH	CD-CH	TP	TP
S618		TP RDS	TP RDS	RDS	RDS

5

4

3

2

1

A

B

C

D

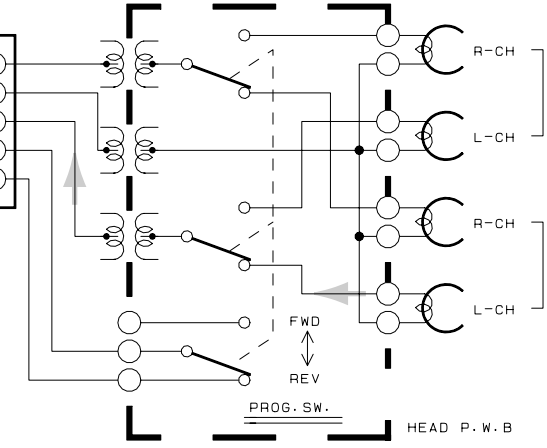
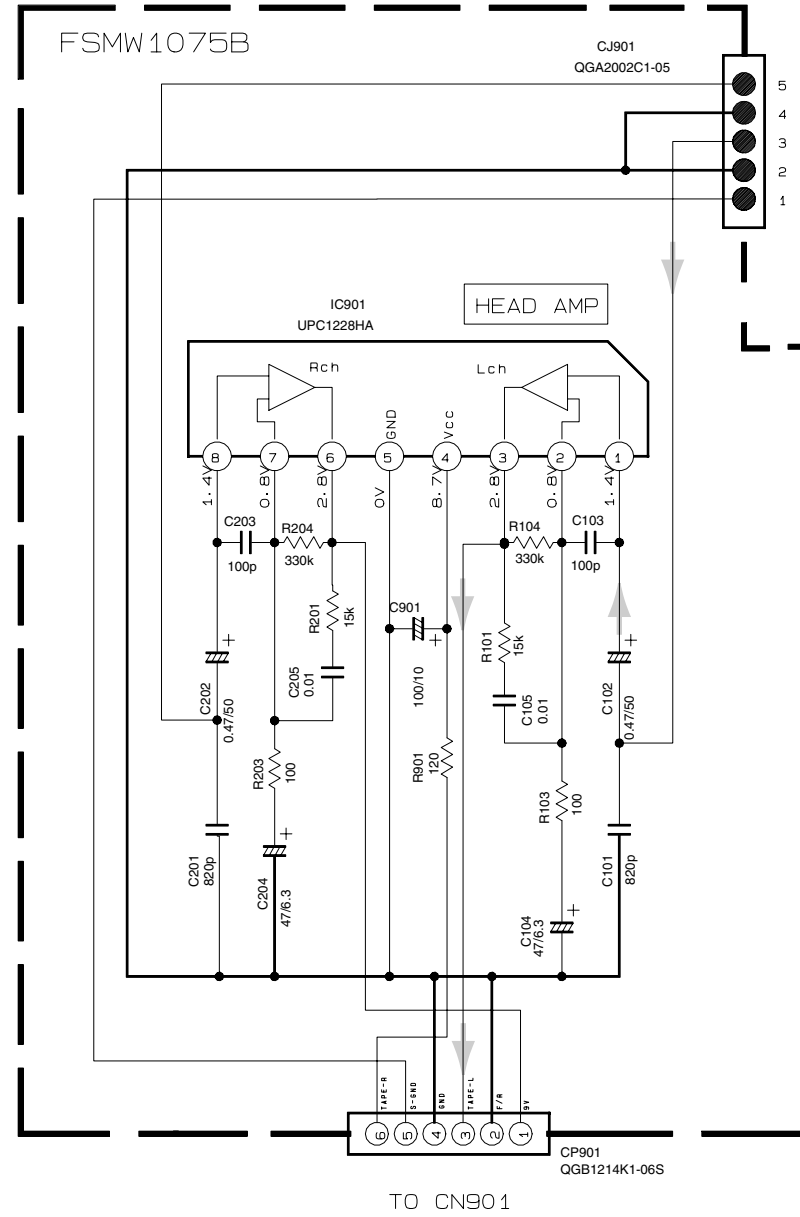
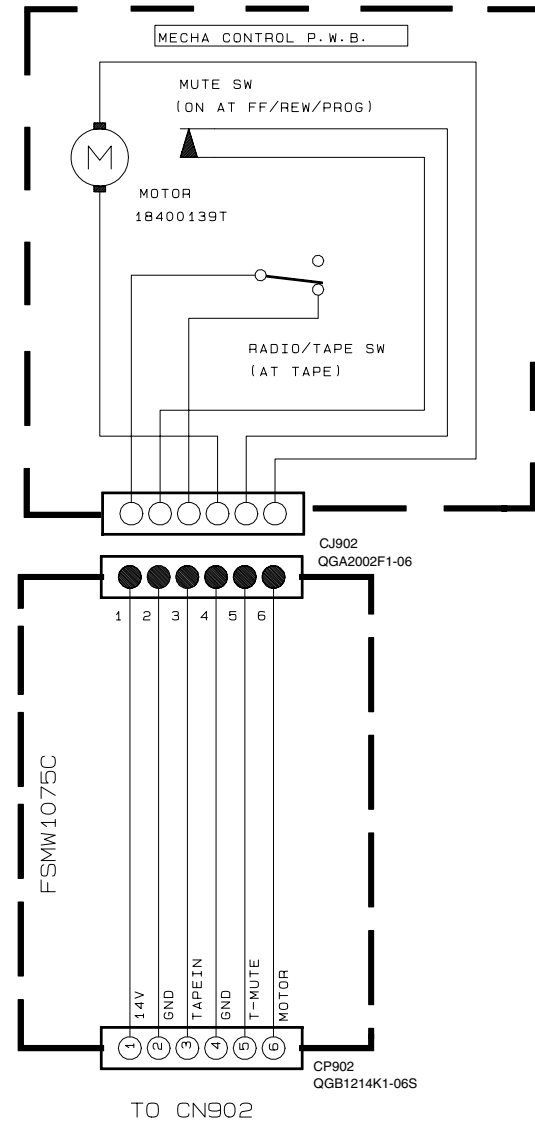
E

F

G

■ Head amp & Mecha control section

5
4
3
2
1

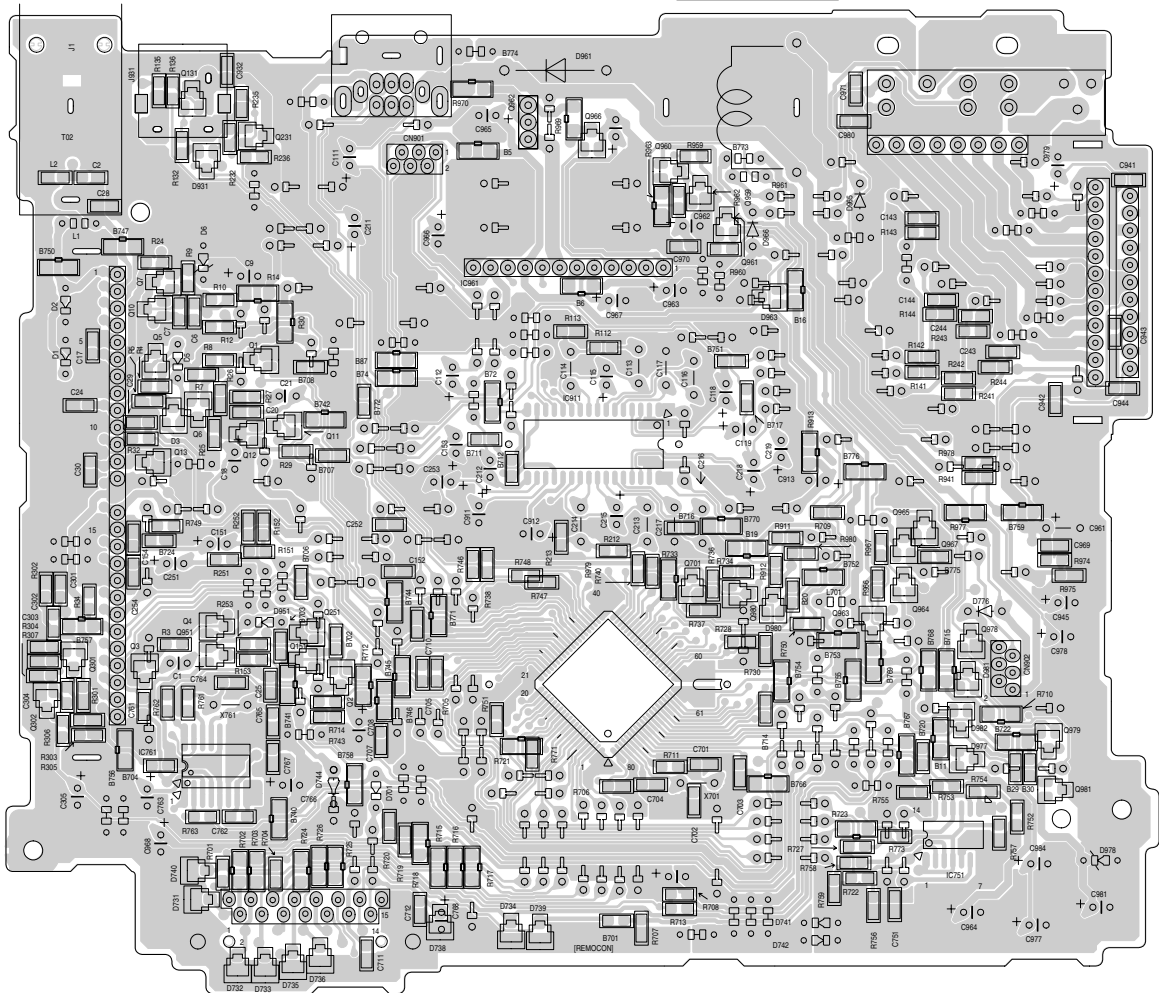
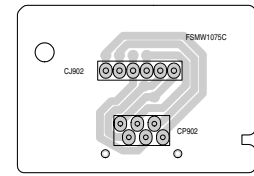
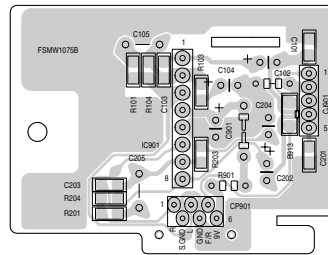


➔ TAPE SIGNAL

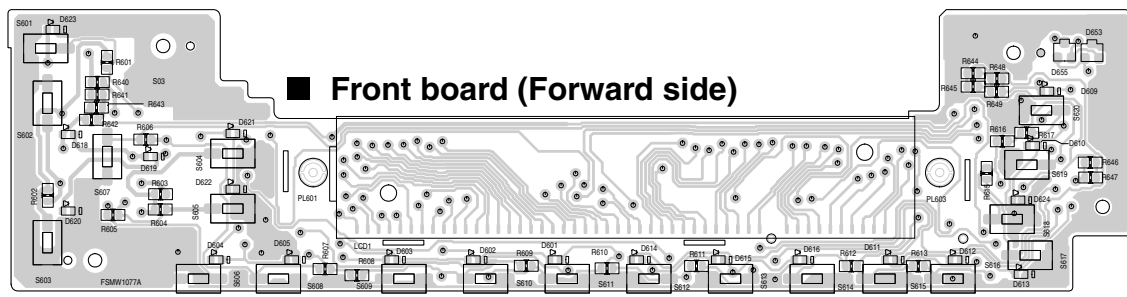
A B C D E F G

Printed circuit boards

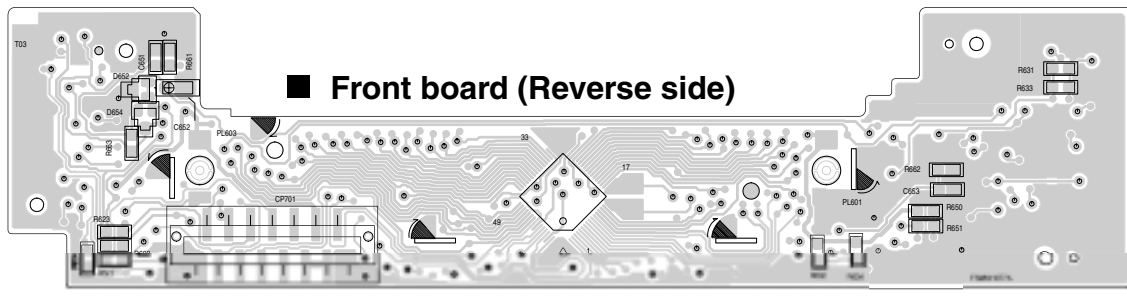
■ Main board



■ Front board (Forward side)



■ Front board (Reverse side)



5
4
3
2
1

A B C